

1

2

3

4

A

A

B

B

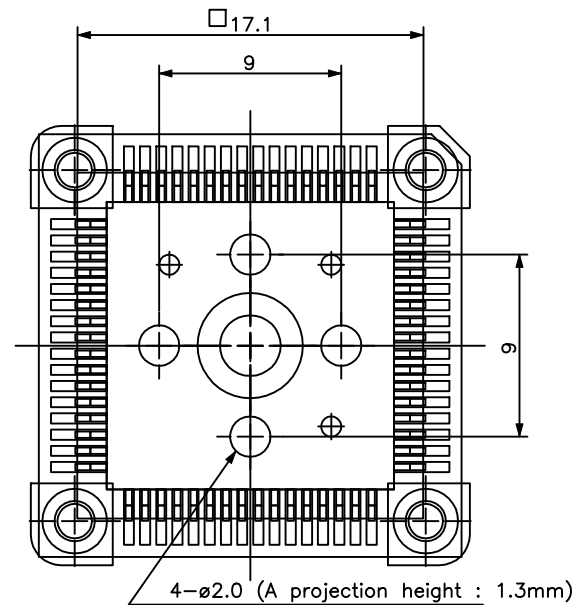
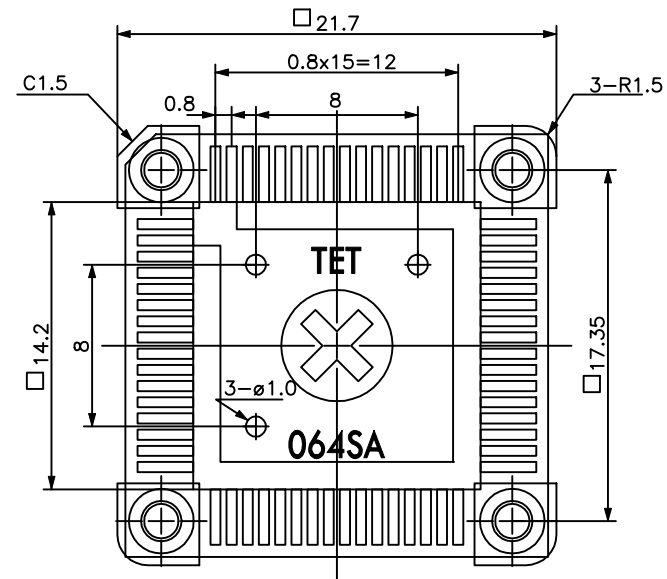
C

C

D

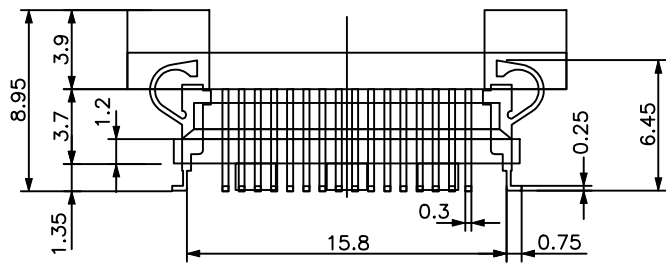
D

REVISIONS				
ZONE	REV	DESCRIPTION	DATE	APPROVED




\* Applicable size of IC package : IC body size 14.0 x 14.0 mm  
IC outer size 17.6 x 17.6 mm

IC package	Square
Pin count	64Pin
Lead pitch	0.8mm



**DRAWING NOT TO SCALE**

**ALL DIMENSIONS ARE IN MILLIMETERS**

 <a href="http://www.adapters.com">www.adapters.com</a>	<b>adapters.com</b> <i>An Embedded Systems Solutions Company</i>		
	DESCRIPTION: <b>BASE-NQ-064Q8-SMT</b>		
TEL:(408)855-8527 FAX:(408)855-8528	SIZE <b>A</b>	DATE: <b>12-10-01</b>	PART NO. <b>000-2117-00</b>
3024 Scott Blvd. Santa Clara, CA 95054	SCALE <b>1:1</b>	CHECKED: <b>Gabor Kardos</b>	DRAWN BY: <b>S. Barcellos</b>
		REV <b> </b>	SHEET <b> </b>

1

2

3

4

