

1

2

3

4

A

B

C

D

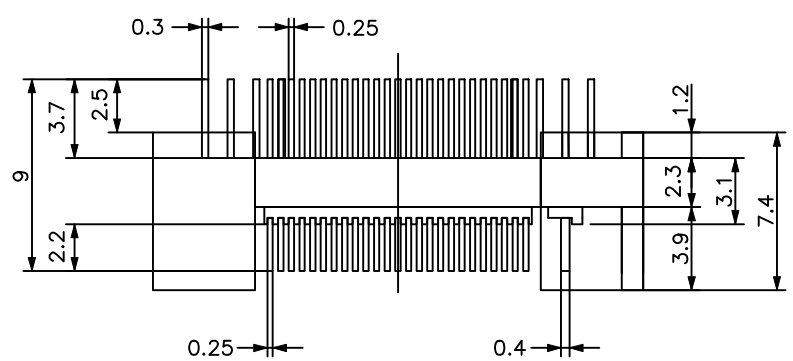
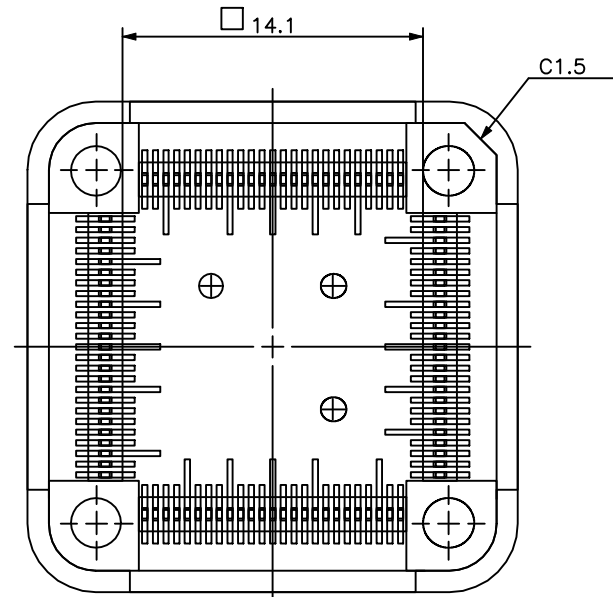
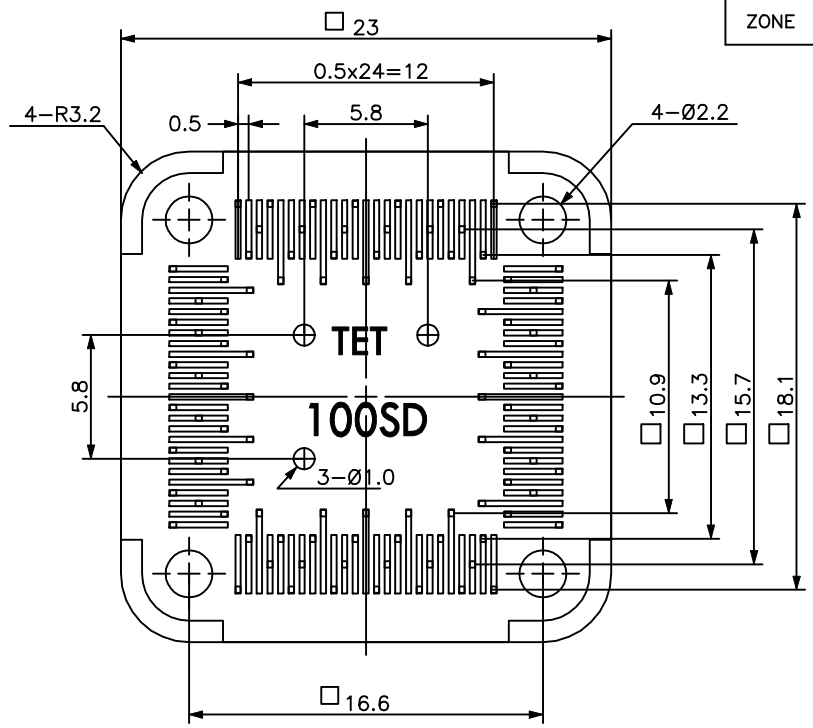
A

B

C

D

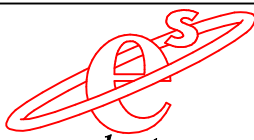
| REVISIONS | | | | |
|-----------|-----|-------------|------|----------|
| ZONE | REV | DESCRIPTION | DATE | APPROVED |
| | | | | |



| | |
|------------|--------|
| IC package | Square |
| Pin count | 100Pin |
| Lead pitch | 0.5mm |

DRAWING NOT TO SCALE

ALL DIMENSIONS ARE IN MILLIMETERS

| | | | |
|---|---|----------------------------------|-----------------------------|
|  www.adapters.com | adapters.com <i>An Embedded Systems Solutions Company</i> | | |
| | DESCRIPTION: BASE-YQ-100Q5-EM-CVR | | |
| TEL:(408)855-8527 FAX:(408)855-8528 3024 Scott Blvd. Santa Clara, CA 95054 | SIZE A | DATE: 12-11-01 | PART NO. 000-2227 |
| SCALE 1:1 | CHECKED: Gabor Kardos | DRAWN BY: S. Barcellos | REV SHEET |

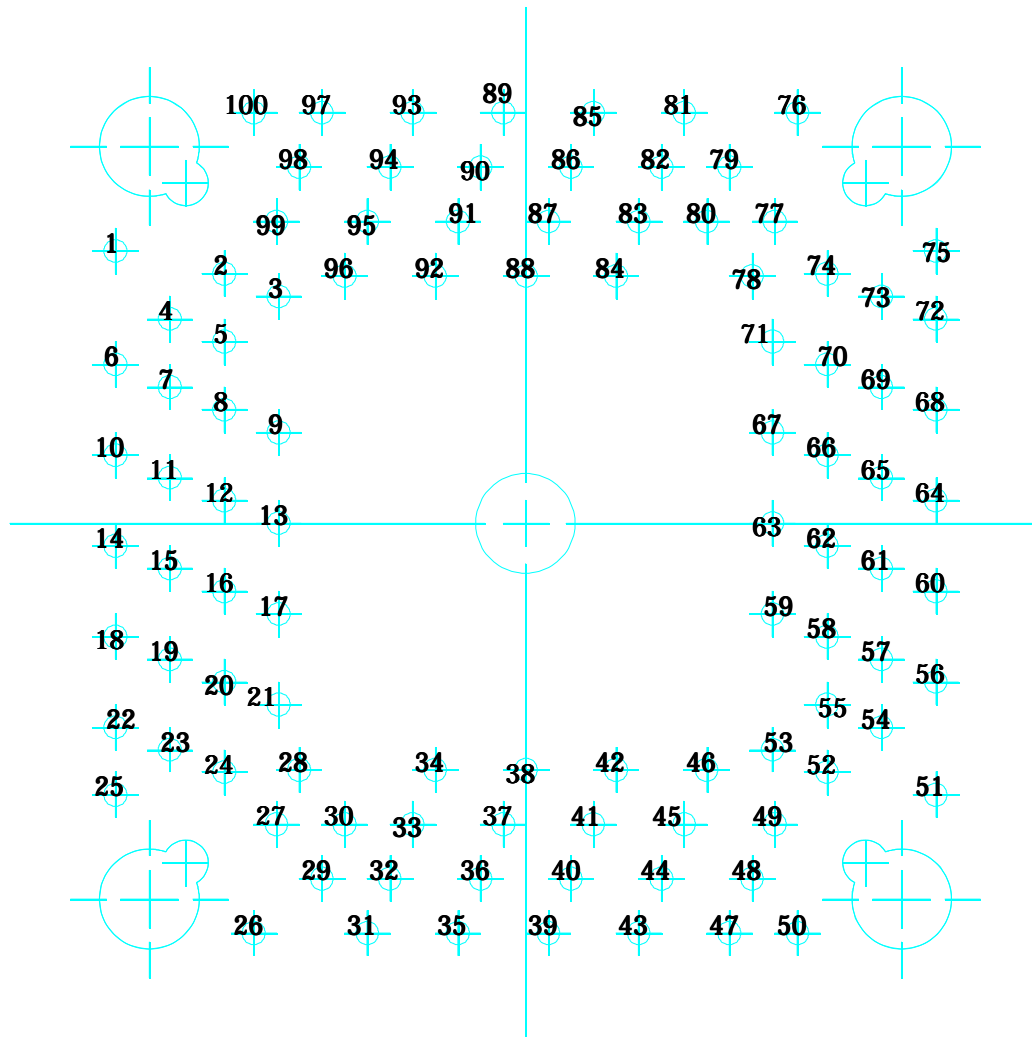
1

2

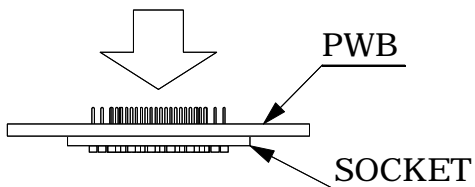
3

4

Recommended a PWB layout of TQSOCKET/YQSOCKET100SD Series

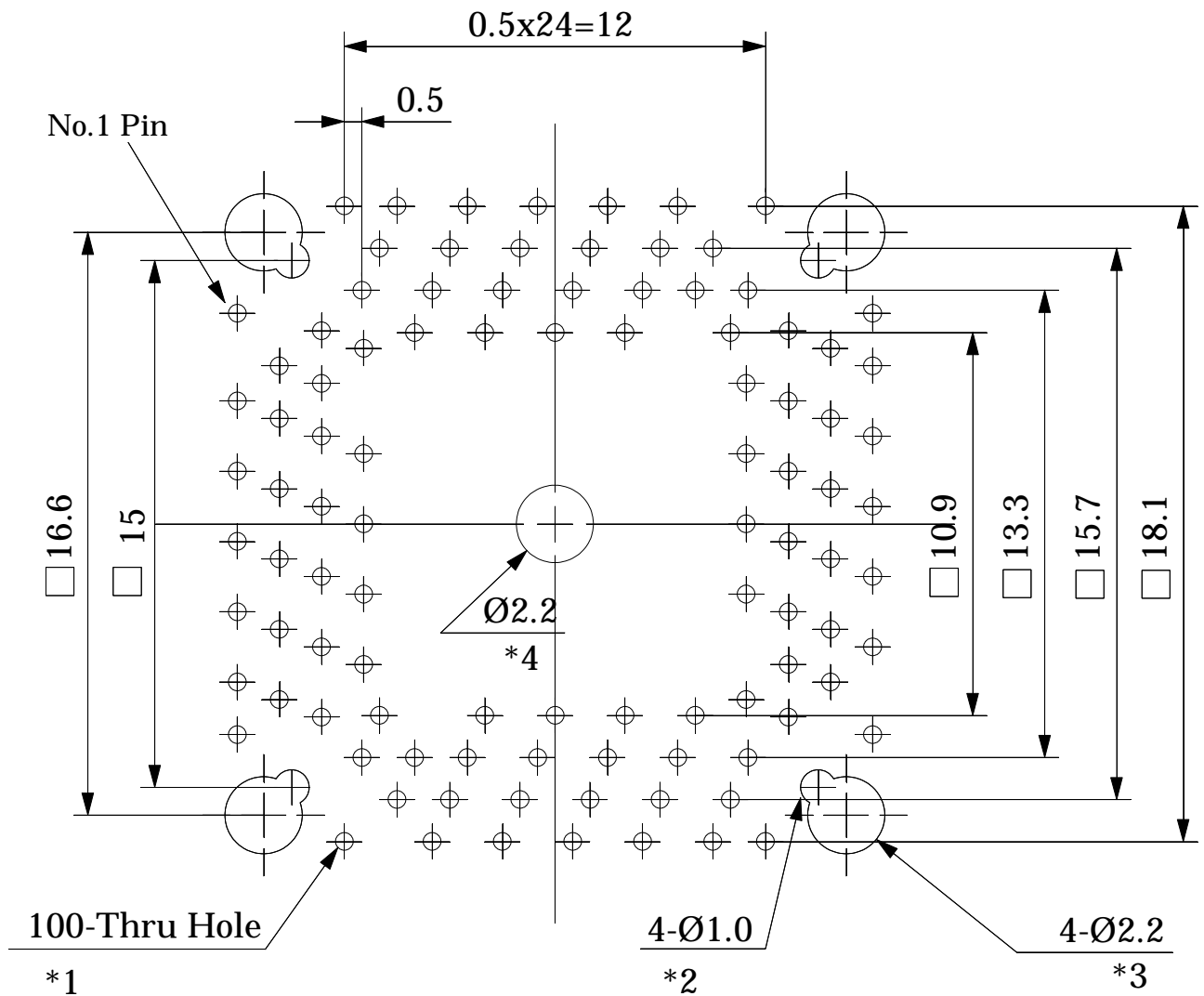


Eye Point



| | | |
|--------------------------------|-------------------------|--|
| Part No. | TQ/YQSOCKET100SD | |
| IC package | Square | |
| Pin count | 100 | |
| | | |
| Unit : mm | Design : M.H | |
| TET TOKYO ELETECH CORP. | | |

Recommended a PWB layout of TQSOCKET/YQSOCKET100SD Series



NOTES:

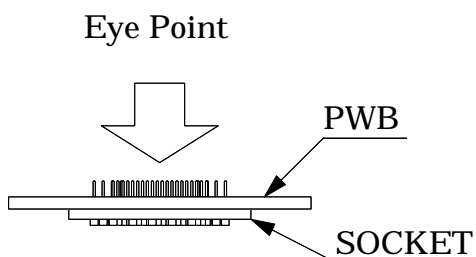
*1 \oplus mark is through hole.

The diameter is 0.5mm after plating copper on the hole.

*2 TQSOCKET guide pin hole and location.

*3 YQSOCKET guide pin hole and location.

*4 Screw hole and location for fastening TQSOCKET.



| | | |
|--------------------------------|--------------|--|
| Part No. | TQ/YQ100SD | |
| IC package | Square | |
| Pin count | 100Pin | |
| Lead pitch | 0.5mm | |
| Unit : mm | Design : M.H | |
| TET TOKYO ELETECH CORP. | | |