

1

2

3

4

A

B

C

D

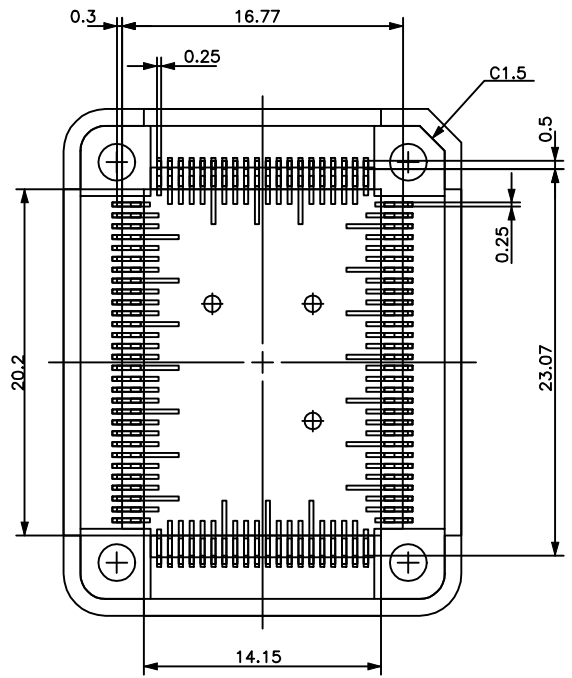
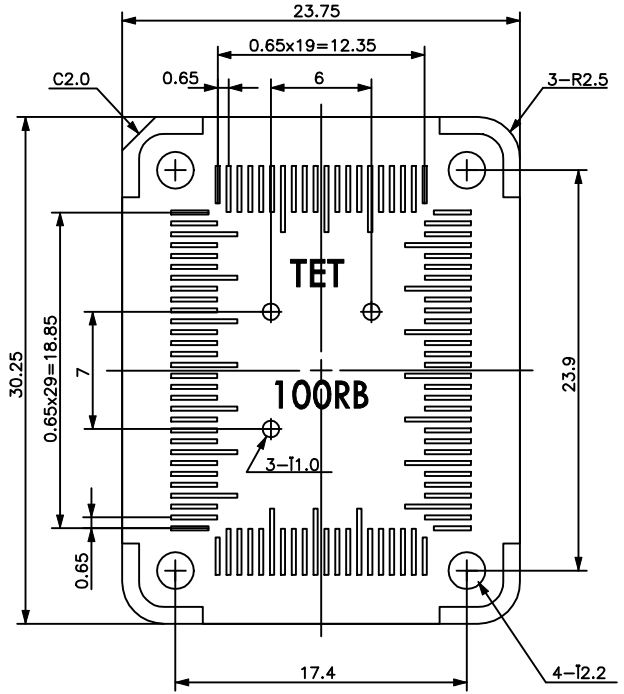
A

B

C

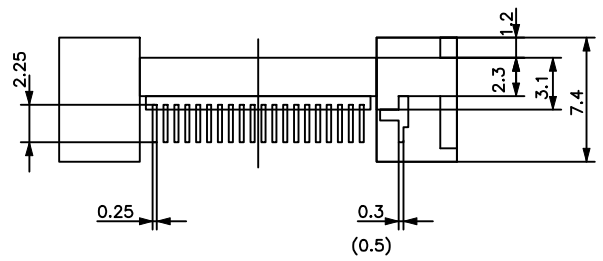
D

REVISIONS				
ZONE	REV	DESCRIPTION	DATE	APPROVED




* Applicable size of IC package : IC body size 14.0 x 20.0 mm
IC outer size 17.9 x 23.9 mm

IC package	Rectangle
Pin count	100Pin
Lead pitch	0.65mm



DRAWING NOT TO SCALE

ALL DIMENSIONS ARE IN MILLIMETERS

 www.adapters.com	adapters.com <i>An Embedded Systems Solutions Company</i>		
	DESCRIPTION: BASE-HQ-100Q65R-IC-CVR(17.9X23.9)		
TEL:(408)855-8527 FAX:(408)855-8528 3024 Scott Blvd. Santa Clara, CA 95054	SIZE A	DATE: 12-11-01	PART NO. 000-2234-10
	SCALE 1:1	CHECKED: Gabor Kardos	DRAWN BY: S. Barcellos
			REV SHEET

1

2

3

4