

1

2

3

4

A

A

B

B

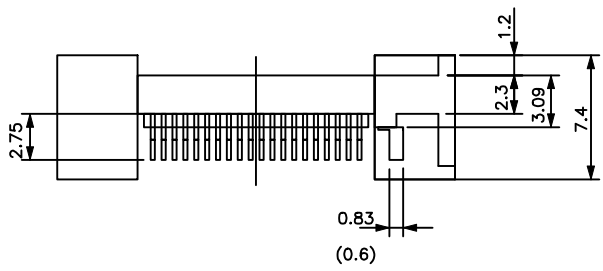
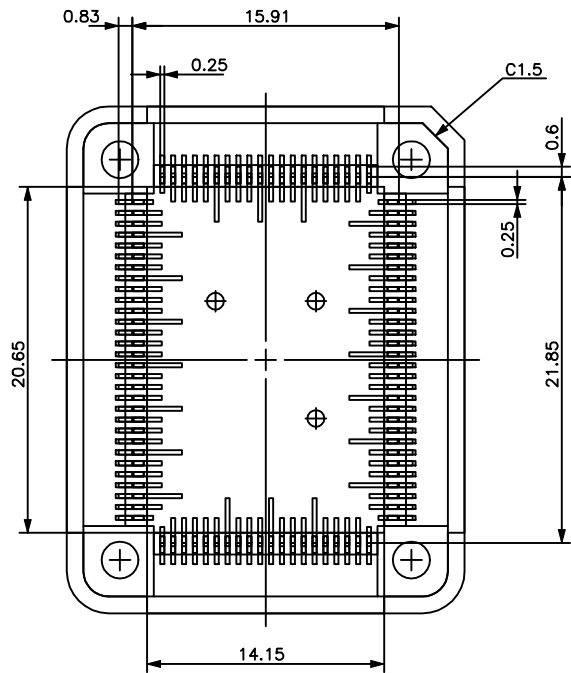
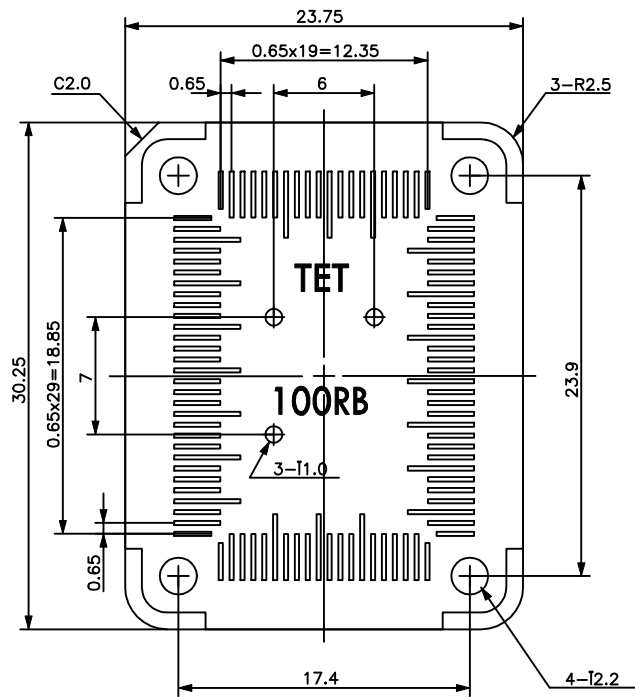
C

C

D

D

REVISIONS				
ZONE	REV	DESCRIPTION	DATE	APPROVED




* Applicable size of IC package : IC body size 14.0 x 20.0 mm
IC outer size 16.8 x 22.8 mm

IC package	Rectangle
Pin count	100Pin
Lead pitch	0.65mm

DRAWING NOT TO SCALE

ALL DIMENSIONS ARE IN MILLIMETERS

 www.adapters.com	<p>adapters.com An Embedded Systems Solutions Company</p>		
	<p>DESCRIPTION: BASE-HQ-100Q65R-IC-CVR(16.8X22.8)</p>		
<p>TEL:(408)855-8527 FAX:(408)855-8528</p>	<p>SIZE: A</p>	<p>DATE: 12-11-01</p>	<p>PART NO. 000-2234-20</p>
<p>3024 Scott Blvd. Santa Clara, CA 95054</p>	<p>SCALE 1:1</p>	<p>CHECKED: Gabor Kardos</p>	<p>REV S. Barcellos</p>

1

2

3

4