

1

2

3

4

A

B

C

D

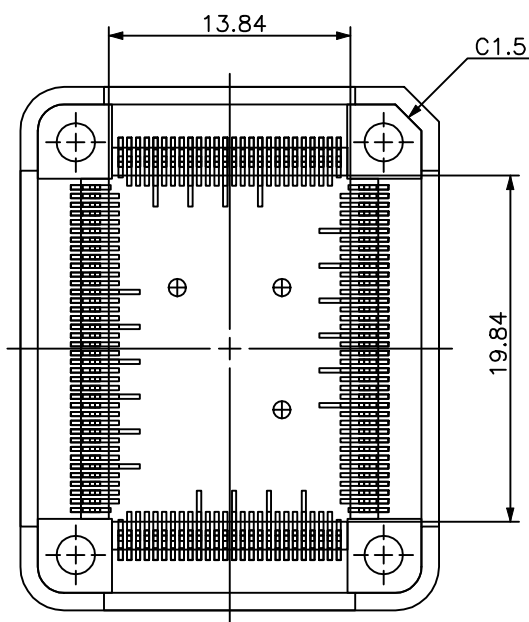
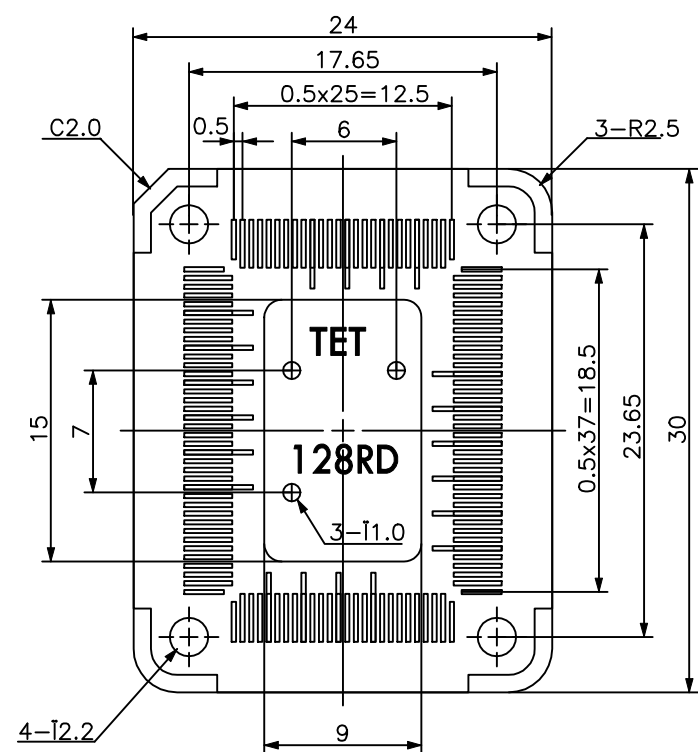
A

B

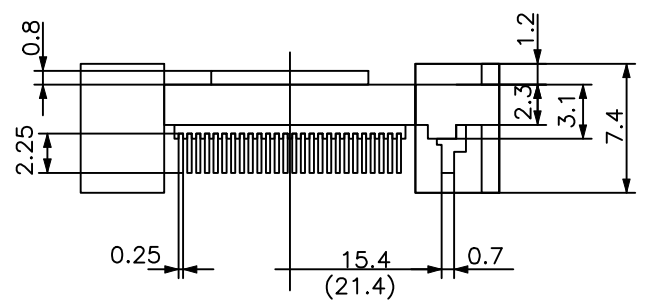
C

D

REVISIONS				
ZONE	REV	DESCRIPTION	DATE	APPROVED



IC package	Square
Pin count	128Pin
Lead pitch	0.5mm



DRAWING NOT TO SCALE



**adapters.com**  
*An Embedded Systems Solutions Company*

DESCRIPTION:  
**BASE-HQ-128Q5R-IC-CVR**

TEL:(408)855-8527 FAX:(408)855-8528	SIZE <b>A</b>	DATE: <b>12-12-01</b>	PART NO. <b>000-2275</b>	REV
3024 Scott Blvd. Santa Clara, CA 95054	SCALE <b>1:1</b>	CHECKED: <b>Gabor Kardos</b>	DRAWN BY: <b>S. Barcellos</b>	SHEET

**ALL DIMENSIONS ARE IN MILLIMETERS**

1

2

3

4