

1

2

3

4

A

B

C

D

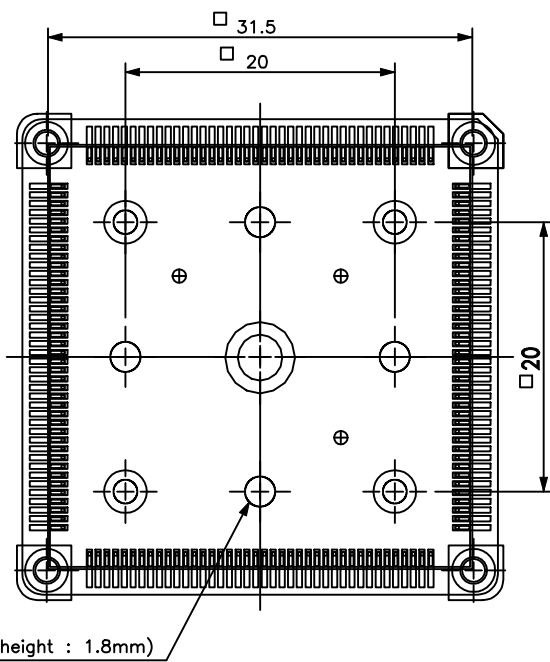
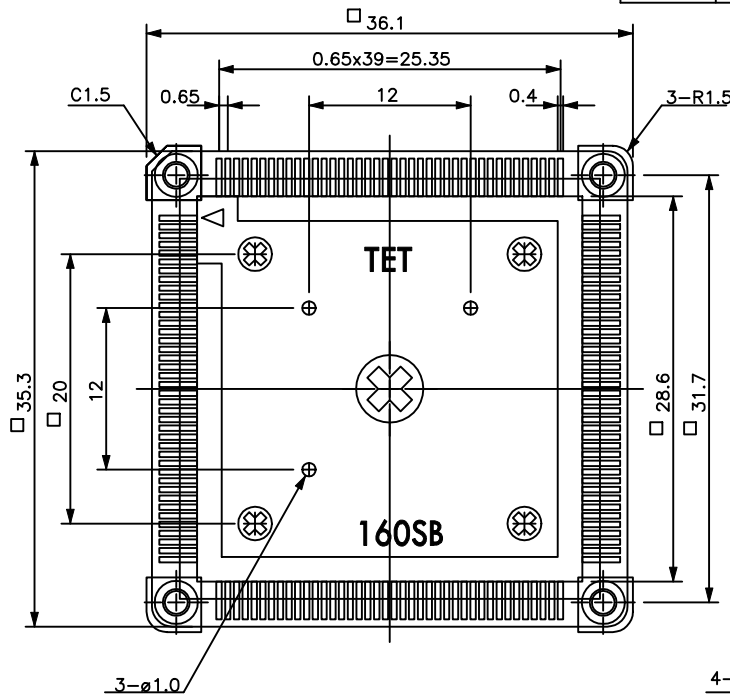
A

B

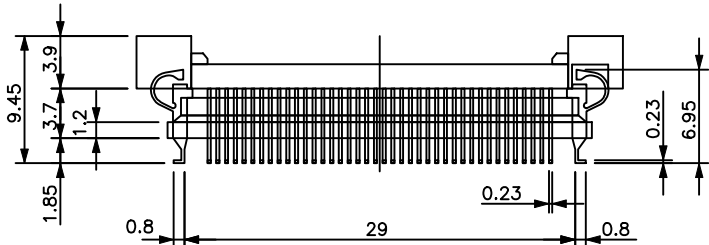
C

D

REVISIONS				
ZONE	REV	DESCRIPTION	DATE	APPROVED




**BOTTOM VIEW**



IC package	Square
Pin count	160Pin
Lead pitch	0.65mm

**DRAWING NOT TO SCALE**

**ALL DIMENSIONS ARE IN MILLIMETERS**

 <a href="http://www.adapters.com">www.adapters.com</a>	<b>adapters.com</b> <i>An Embedded Systems Solutions Company</i>		
	DESCRIPTION: <b>BASE-NQ-160Q65-SMT</b>		
TEL:(408)855-8527 FAX:(408)855-8528 3024 Scott Blvd. Santa Clara, CA 95054	SIZE <b>A</b>	DATE: <b>12-13-01</b>	PART NO. <b>000-2333</b>
SCALE <b>1:1</b>	CHECKED: <b>Gabor Kardos</b>	DRAWN BY: <b>S. Barcellos</b>	REV SHEET

1

2

3

4