

1

2

3

4

A

A

B

B

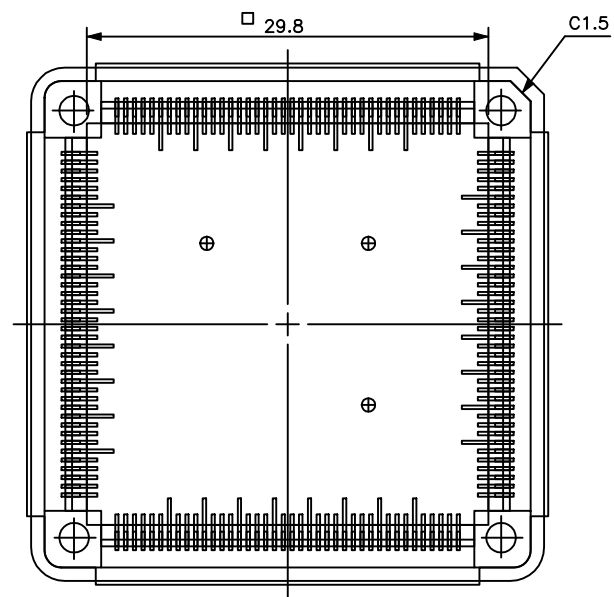
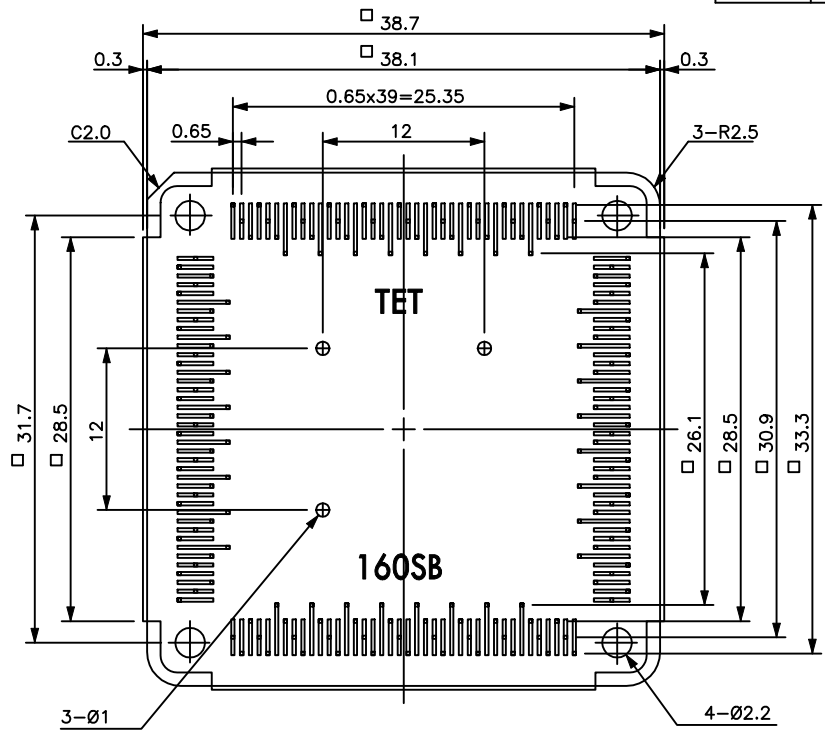
C

C

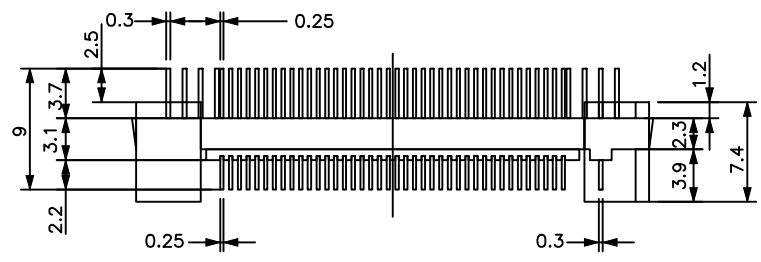
D

D

REVISIONS				
ZONE	REV	DESCRIPTION	DATE	APPROVED



BOTTOM VIEW



IC package	Square
Pin count	160Pin
Lead pitch	0.65mm

DRAWING NOT TO SCALE

  
www.adapters.com

**adapters.com**  
An Embedded Systems Solutions Company

DESCRIPTION:  
BASE-YQ-160Q65-EM-CVR

TEL:(408)855-8527 FAX:(408)855-8528	SIZE <b>A</b>	DATE: 12-13-01	PART NO. <b>000-2335</b>	REV
3024 Scott Blvd. Santa Clara, CA 95054	SCALE 1:1	CHECKED: Gabor Kardos	DRAWN BY: S. Barcellos	SHEET

ALL DIMENSIONS ARE IN MILLIMETERS

1

2

3

4