

1

2

3

4

A

B

C

D

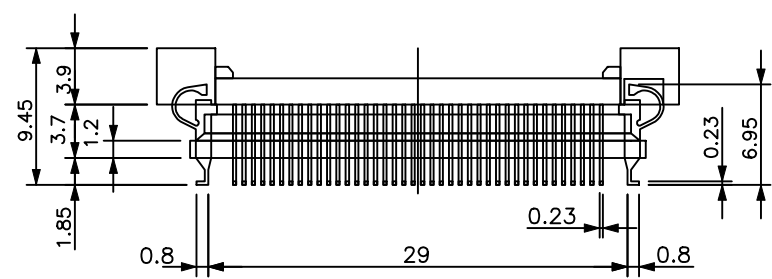
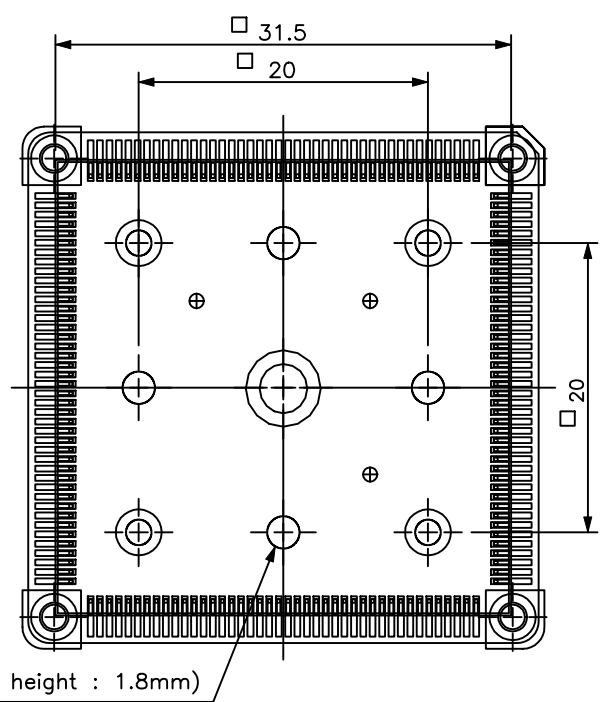
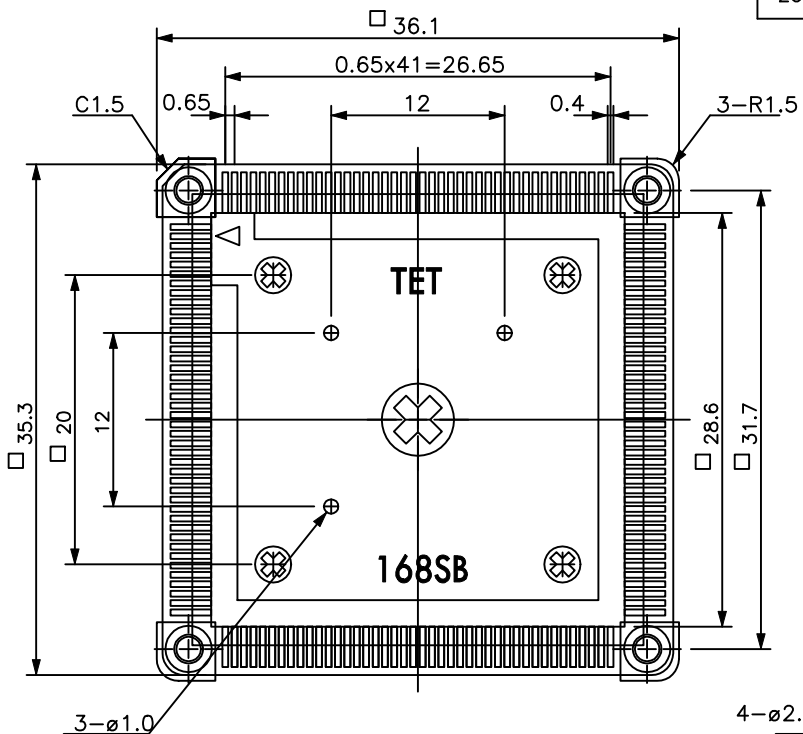
A

B

C

D

REVISIONS				
ZONE	REV	DESCRIPTION	DATE	APPROVED



IC package	Square
Pin count	168Pin
Lead pitch	0.65mm

DRAWING NOT TO SCALE



**adapters.com**  
 An Embedded Systems Solutions Company

ALL DIMENSIONS ARE IN MILLIMETERS

www.adapters.com		DESCRIPTION: BASE-NQ-168Q65-SMT		SIZE <b>A</b>	DATE: 12-13-01	PART NO. <b>000-2356</b>	REV
TEL:(408)855-8527 FAX:(408)855-8528		3024 Scott Blvd. Santa Clara, CA 95054		SCALE 1:1	CHECKED: Gabor Kardos	DRAWN BY: S. Barcellos	SHEET

1

2

3

4