

1

2

3

4

A

B

C

D

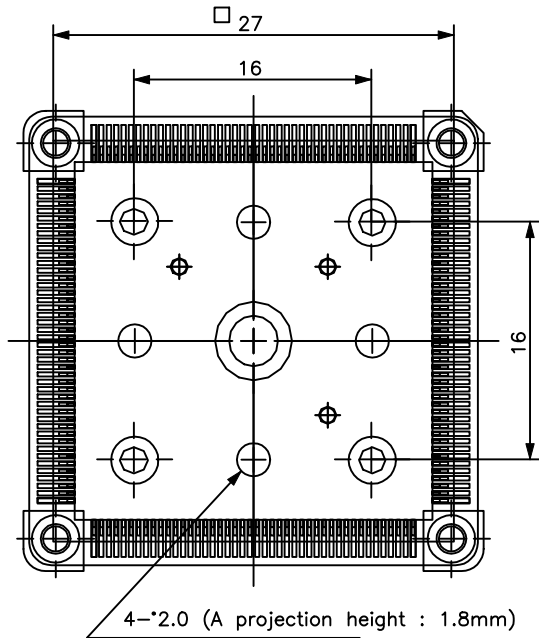
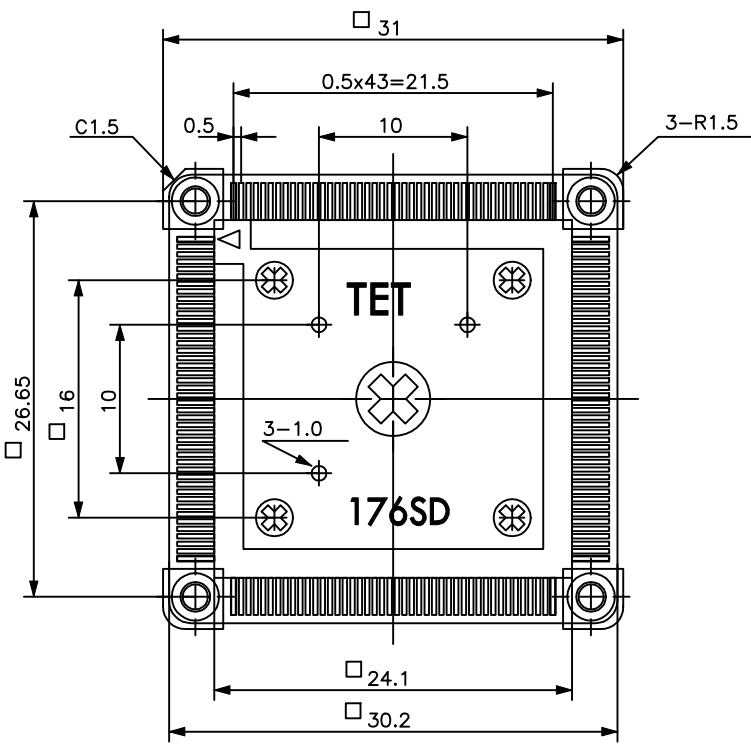
A

B

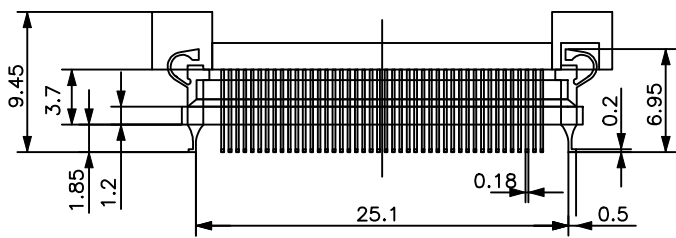
C

D

REVISIONS				
ZONE	REV	DESCRIPTION	DATE	APPROVED




IC package	Square
Pin count	176Pin
Lead pitch	0.5mm



ALL DIMENSIONS ARE IN MILLIMETERS

DRAWING NOT TO SCALE



www.adapters.com

adapters.com

An Embedded Systems Solutions Company

DESCRIPTION: BASE-NQ-176Q5-SMT				
SIZE A	DATE: 12-14-01	PART NO. 000-2377	REV	
3024 Scott Blvd. Santa Clara, CA 95054		SCALE 1:1	CHECKED: Gabor Kardos	DRAWN BY: S. Barcellos

1

2

3

4