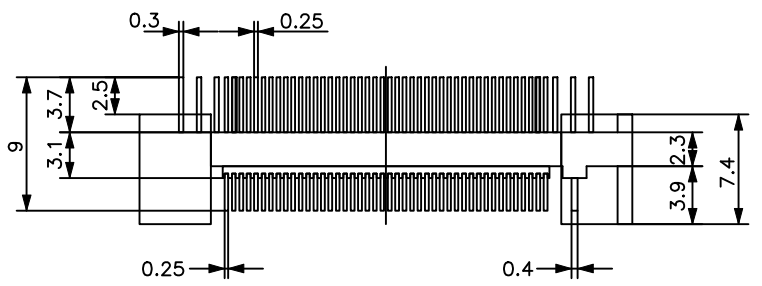
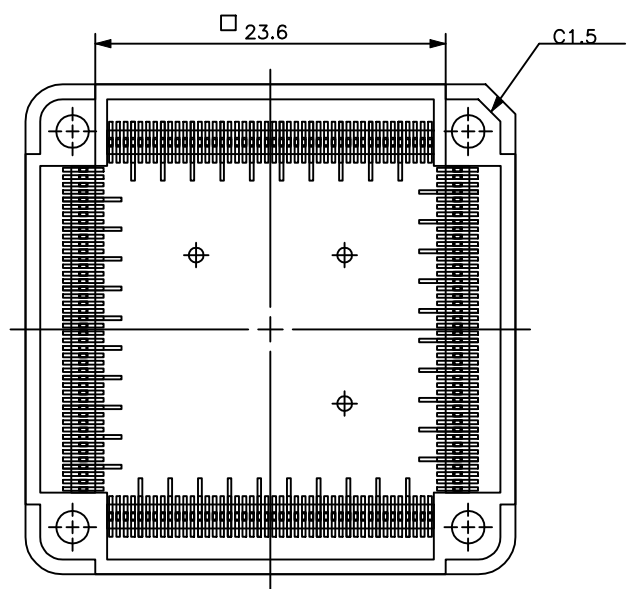
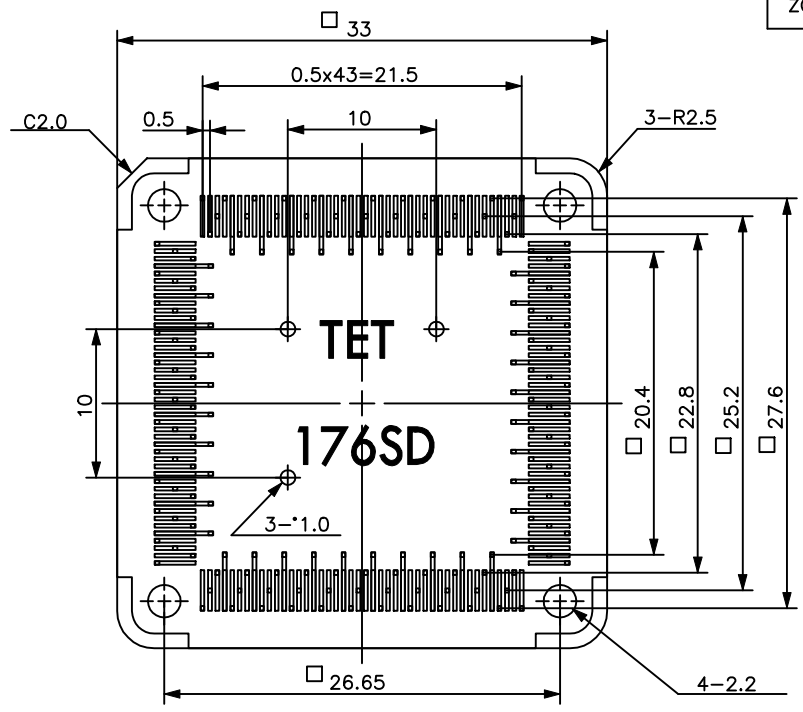



REVISIONS				
ZONE	REV	DESCRIPTION	DATE	APPROVED



IC package	Square
Pin count	176Pin
Lead pitch	0.5mm

DRAWING NOT TO SCALE



**adapters.com**

*An Embedded Systems Solutions Company*

DESCRIPTION: BASE-YQ-176Q5-EM-CVR

TEL:(408)855-8527 FAX:(408)855-8528	SIZE: <b>A</b>	DATE: 12-14-01	PART NO. <b>000-2379</b>	REV
3024 Scott Blvd. Santa Clara, CA 95054	SCALE 1:1	CHECKED: <b>Gabor Kardos</b>	DRAWN BY: <b>S. Barcellos</b>	SHEET

**ALL DIMENSIONS ARE IN MILLIMETERS**