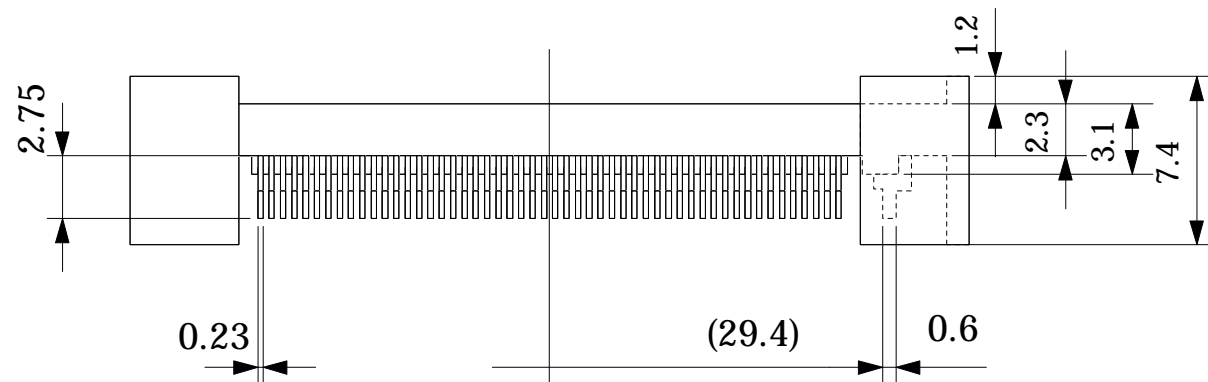


\* Applicable size of IC package : IC body size 28.0 x 28.0 mm  
IC outer size 30.0 x 30.0 mm



|                                |                    |  |
|--------------------------------|--------------------|--|
| Part No.                       | <b>HQPACK208SD</b> |  |
| IC package                     | Square             |  |
| Pin count                      | 208Pin             |  |
| Lead pitch                     | 0.5mm              |  |
| Unit : mm                      | Design : M.H       |  |
| <b>TET</b> TOKYO ELETECH CORP. |                    |  |