

1

2

3

4

A

A

B

B

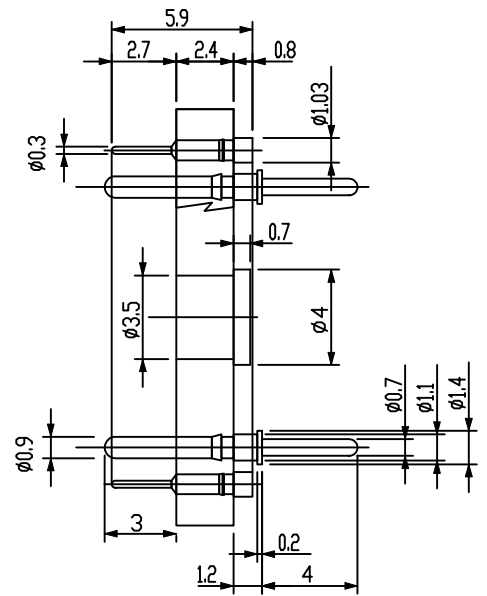
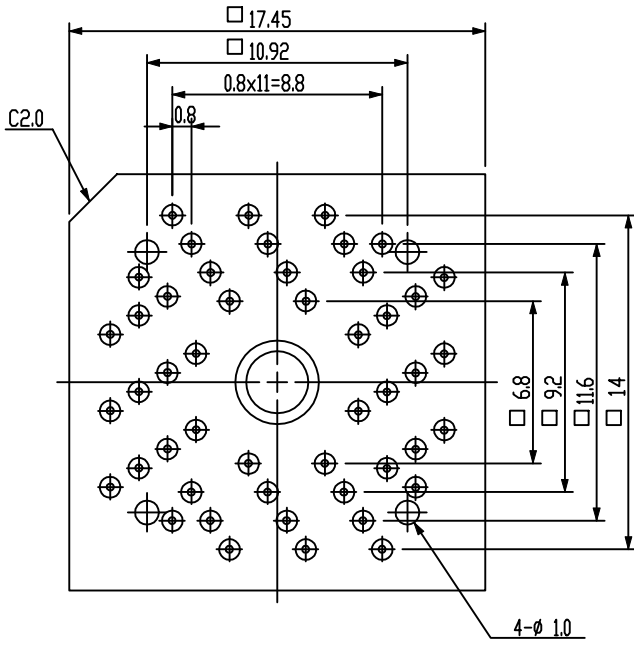
C

C

D


D

| REVISIONS | | | | |
|-----------|-----|-------------|------|----------|
| ZONE | REV | DESCRIPTION | DATE | APPROVED |
| | | | | |



| | |
|------------|--------|
| IC package | Square |
| Pin count | 48 Pin |
| Lead pitch | 0.80mm |

ALL DIMENSIONS ARE IN MILLIMETERS

| | | | |
|---|---------------------------------------|------------------------------|-------------------------------|
|  www.adapters.com | An Embedded Systems Solutions Company | | |
| | DO NOT SCALE DRAWING | | |
| DESCRIPTION: | RECEP-TQ-048Q8-3mmGP-FSTNR | | |
| TEL:(408)855-8527 FAX:(408)855-8528 | SIZE: A | DATE: 2-14-02 | PART NO. 000-2737 |
| 3024 Scott Blvd. Santa Clara, CA 95054 | SCALE: 1:1 | CHECKED: <i>Eabor Kardos</i> | DRAWN BY: <i>S. Barcellos</i> |
| | | | REV: 1 SHEET 1 of 1 |

1

2

3

4