

1

2

3

4

A

A

B

B

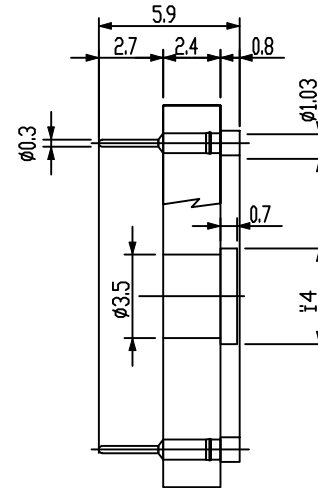
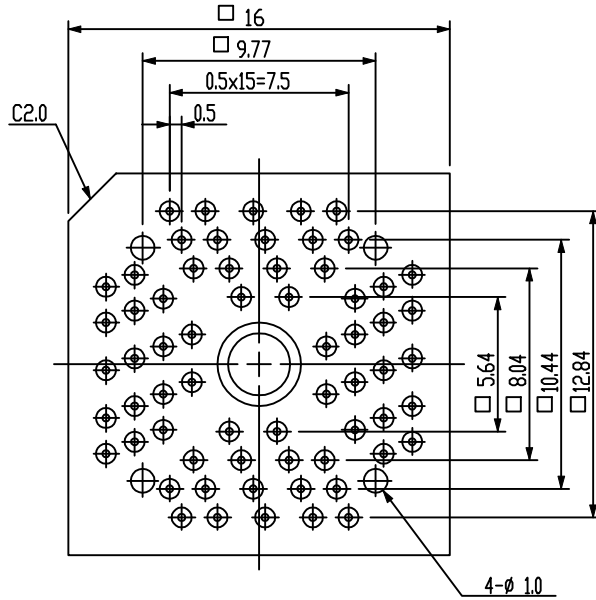
C

C


D

D

REVISIONS				
ZONE	REV	DESCRIPTION	DATE	APPROVED



IC package	Square
Pin count	64 Pin
Lead pitch	0.50mm

 www.adapters.com	An Embedded Systems Solutions Company		
	DO NOT SCALE DRAWING		
DESCRIPTION:	RECEP-TQ-064Q5-NGP-FSTNR		
TEL:(408)855-8527 FAX:(408)855-8528	SIZE: A	DATE: 2-15-02	PART NO. 000-2784
3024 Scott Blvd. Santa Clara, CA 95054	SCALE 1:1	CHECKED: <i>Eabor Kardos</i>	DRAWN BY: <i>S. Barcellos</i> SHEET 1 of 1

ALL DIMENSIONS ARE IN MILLIMETERS

1

2

3

4