

1

2

3

4

A

A

B

B

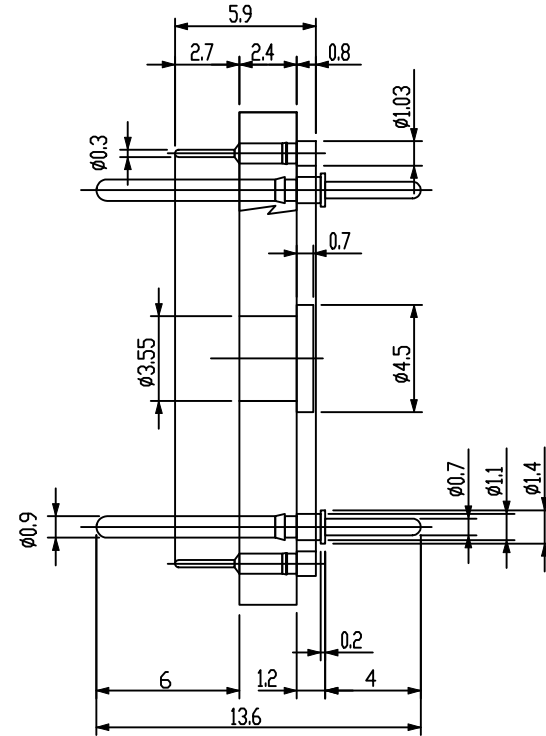
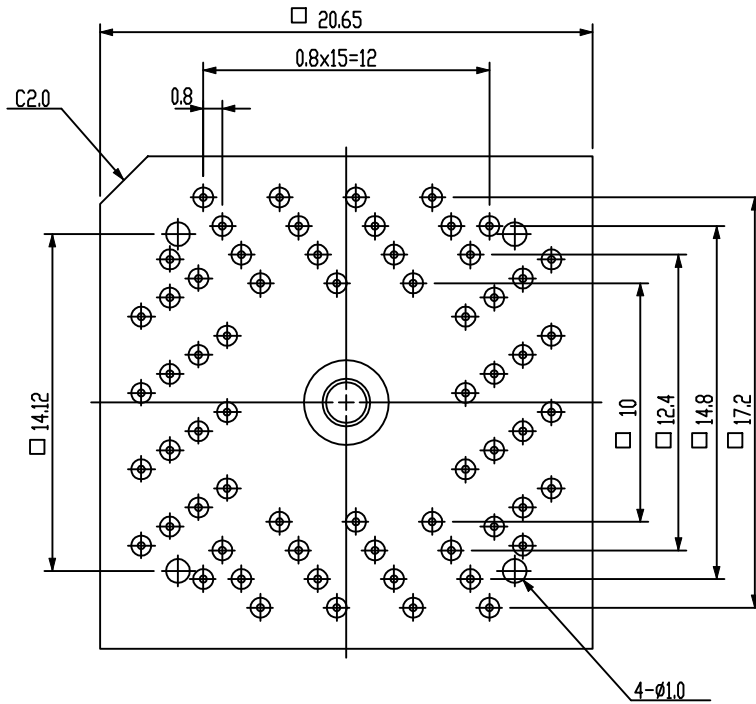
C

C

D


D

REVISIONS				
ZONE	REV	DESCRIPTION	DATE	APPROVED



IC package	Square
Pin count	64 Pin
Lead pitch	0.80mm

ALL DIMENSIONS ARE IN MILLIMETERS

 <a href="http://www.adapters.com">www.adapters.com</a>	An Embedded Systems Solutions Company		
	DO NOT SCALE DRAWING		
TEL:(408)855-8527 FAX:(408)855-8528	DESCRIPTION: RECEP-TQ-064Q8-6mmGP-FSTNR		
3024 Scott Blvd. Santa Clara, CA 95054	SIZE: <b>A</b>	DATE: <b>2-15-02</b>	PART NO. <b>000-2795</b>
SCALE <b>1:1</b>	CHECKED: <i>Eabor Kardos</i>	DRAWN BY: <i>S. Barcellos</i>	REV

1

2

3

4

SHEET 1 of 1