

1

2

3

4

A

A

B

B

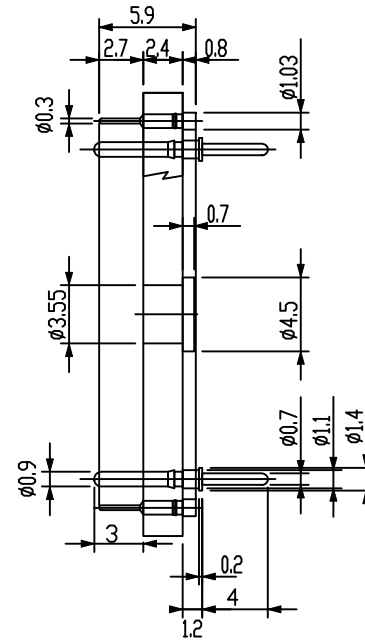
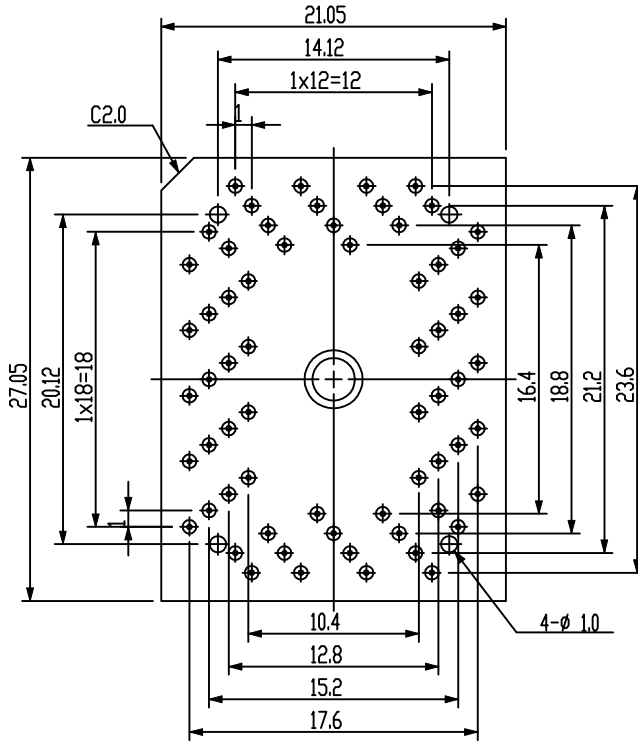
C

C

D


D

REVISIONS				
ZONE	REV	DESCRIPTION	DATE	APPROVED



IC package	Rectangle
Pin count	64 Pin
Lead pitch	1.00mm

ALL DIMENSIONS ARE IN MILLIMETERS

 www.adapters.com	An Embedded Systems Solutions Company		
	DO NOT SCALE DRAWING		
TEL:(408)855-8527 FAX:(408)855-8528	DESCRIPTION: RECEP-TQ-064Q1-3mmGP-FSTNR		
3024 Scott Blvd. Santa Clara, CA 95054	SIZE: A	DATE: 2-15-02	PART NO. 000-2801
SCALE 1:1	CHECKED: <i>Eabor Kardos</i>	DRAWN BY: <i>S. Barcellos</i>	REV

SHEET 1 of 1

1

2

3

4