

1

2

3

4

A

A

B

B

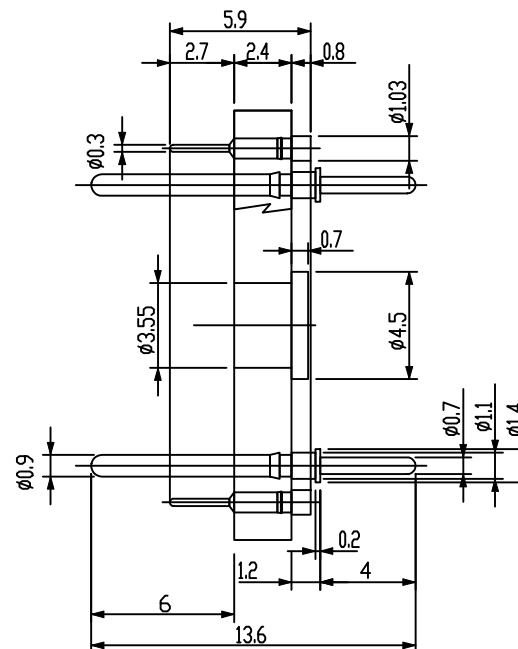
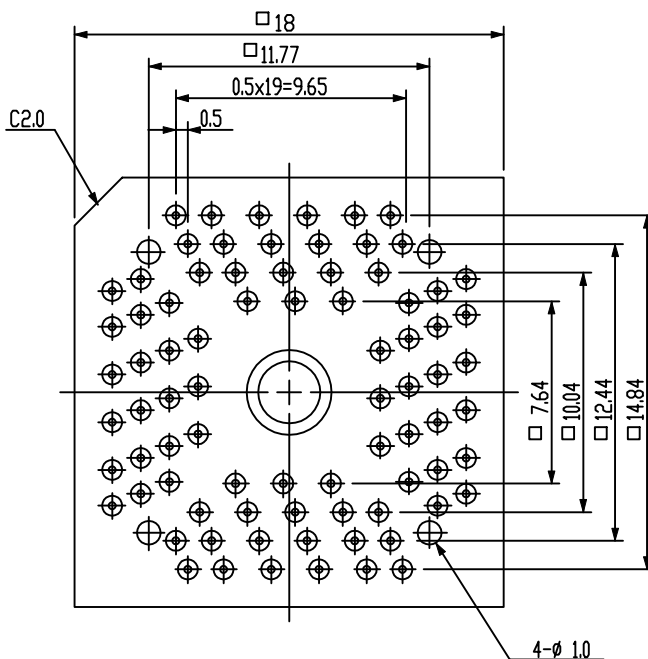
C

C

D


D

| REVISIONS | | | | |
|-----------|-----|-------------|------|----------|
| ZONE | REV | DESCRIPTION | DATE | APPROVED |
| | | | | |



| | |
|------------|--------|
| IC package | Square |
| Pin count | 80 Pin |
| Lead pitch | 0.50mm |

ALL DIMENSIONS ARE IN MILLIMETERS

| | | | |
|---|--|-------------------------------|--------------|
|  www.adapters.com | <i>An Embedded Systems Solutions Company</i> | | |
| | DO NOT SCALE DRAWING | | |
| DESCRIPTION: RECEP-TQ-080Q5-6mmGP-FSTNR | | | |
| TEL:(408)855-8527 FAX:(408)855-8528 3024 Scott Blvd. Santa Clara, CA 95054 | SIZE: A DATE: 2-15-02 | PART NO.: 000-2867 | REV: |
| SCALE: 1:1 | CHECKED: <i>Eabor Kardos</i> | DRAWN BY: <i>S. Barcellos</i> | SHEET 1 of 1 |

1

2

3

4