

1

2

3

4

A

A

B

B

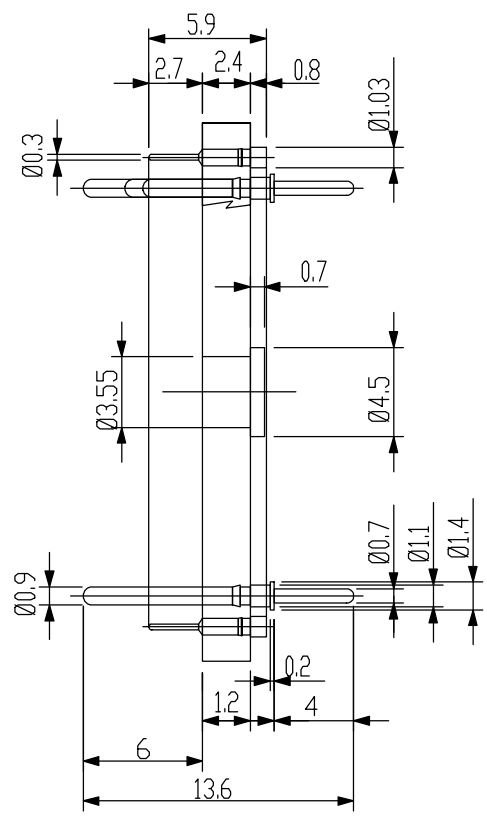
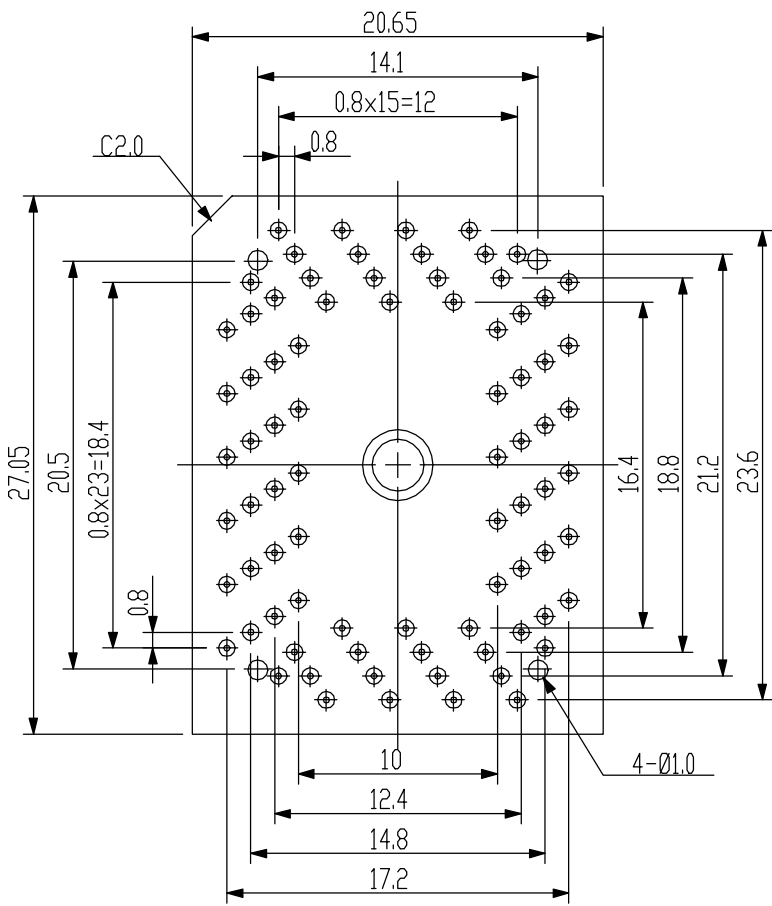
C

C

D

D

REVISIONS				
ZONE	REV	DESCRIPTION	DATE	APPROVED



IC package	Rectangle
Pin count	80 Pin
Lead pitch	0.80mm

ALL DIMENSIONS ARE IN MILLIMETERS

	An Embedded Systems Solutions Company		
	DO NOT SCALE DRAWING		
www.adapters.com	DESCRIPTION: RECEPTOR-080Q8R-6mmGP-FSTNR		
TEL:(408)855-8527 FAX:(408)855-8528	SIZE: A	DATE: 5-2-02	PART NO. 000-2879
3024 Scott Blvd. Santa Clara, CA 95054	SCALE: 1:1	CHECKED: <i>Eabor Kardos</i>	DRAWN BY: <i>S. Barcellos</i> SHEET 1 of 1

1

2

3

4