

1

2

3

4

A

A

B

B

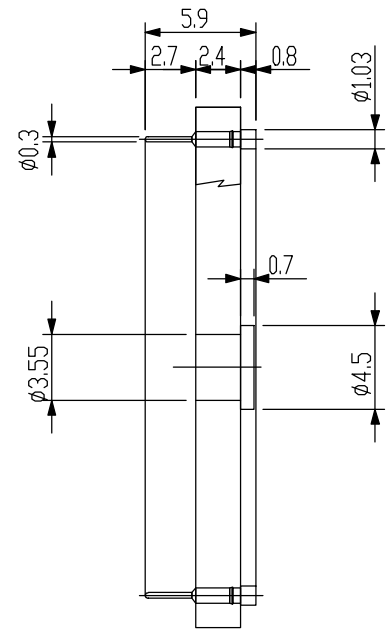
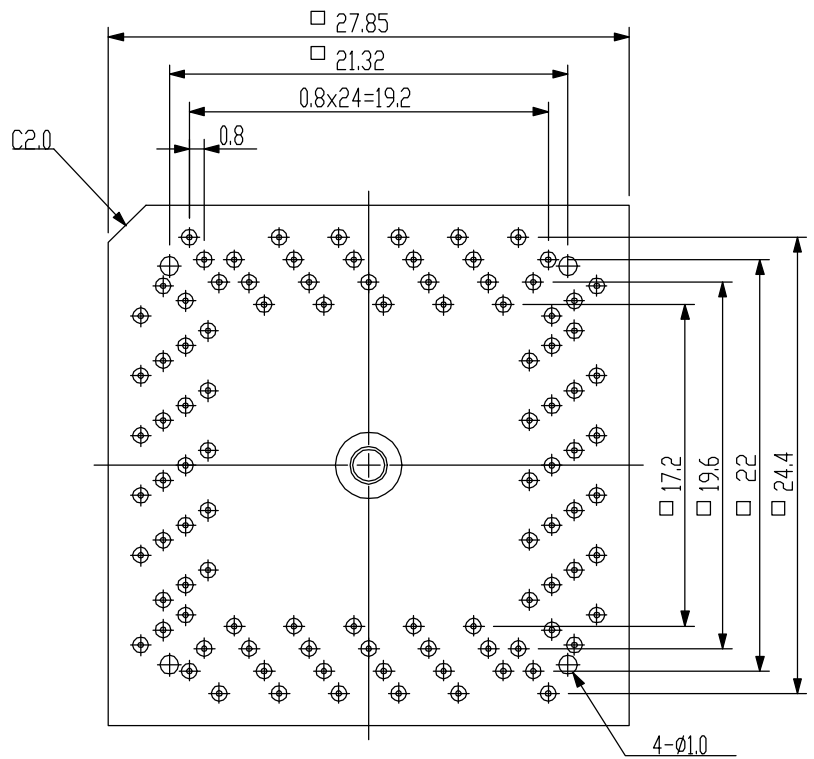
C

C

D


D

REVISIONS				
ZONE	REV	DESCRIPTION	DATE	APPROVED



IC package	Square
Pin count	100 Pin
Lead pitch	0.80mm

ALL DIMENSIONS ARE IN MILLIMETERS

 www.adapters.com	<i>An Embedded Systems Solutions Company</i>		
	DO NOT SCALE DRAWING		
TEL:(408)855-8527 FAX:(408)855-8528 3024 Scott Blvd. Santa Clara, CA 95054	DESCRIPTION: RECEP-TQ-100Q8-NGP-FSTNR		REV
SIZE A	DATE: 5-6-02	PART NO. 000-2952	CHECKED: <i>Eabor Kardos</i>
SCALE 1:1	DRAWN BY: <i>S. Barcellos</i>	SHEET 1 of 1	

1

2

3

4