

1

2

3

4

A

A

B

B

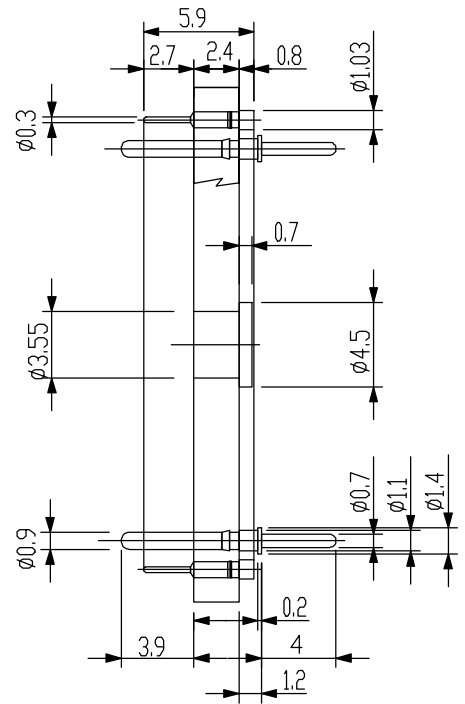
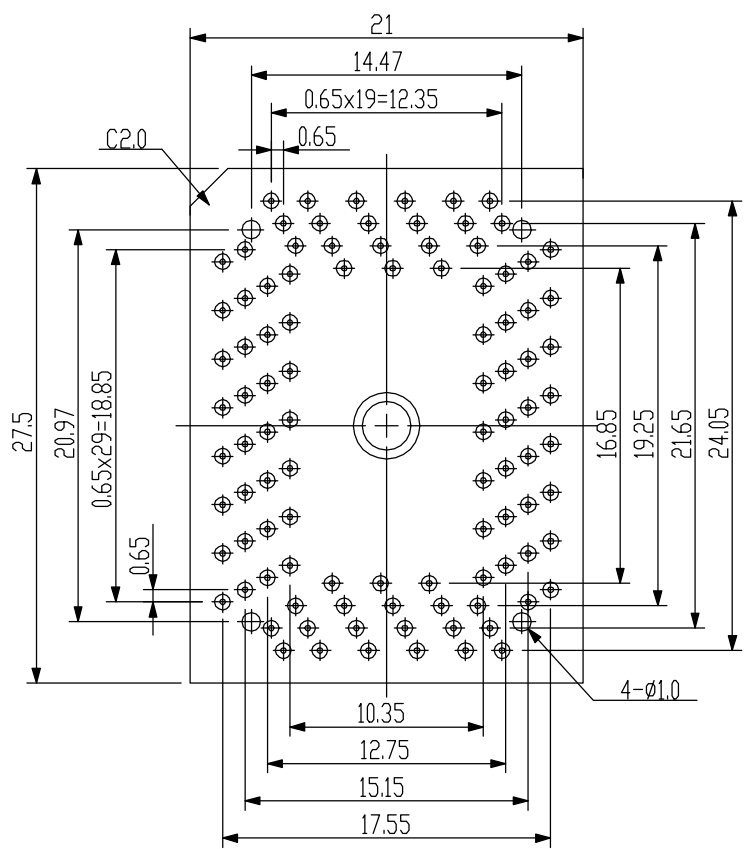
C

C

D


D

REVISIONS				
ZONE	REV	DESCRIPTION	DATE	APPROVED



IC package	Rectangle
Pin count	100 Pin
Lead pitch	0.65mm

ALL DIMENSIONS ARE IN MILLIMETERS

 www.adapters.com	An Embedded Systems Solutions Company		
	DO NOT SCALE DRAWING		
TEL:(408)855-8527 FAX:(408)855-8528	DESCRIPTION: RECEP-TQ-100Q65R-3.9mmGP-FSTNR		REV
3024 Scott Blvd. Santa Clara, CA 95054	SIZE: A DATE: 5-6-02	PART NO.: 000-2958	CHECKED: <i>Eabor Xardos</i> DRAWN BY: <i>S. Barcellos</i>
SCALE: 1:1	SHEET 1 of 1		

1

2

3

4