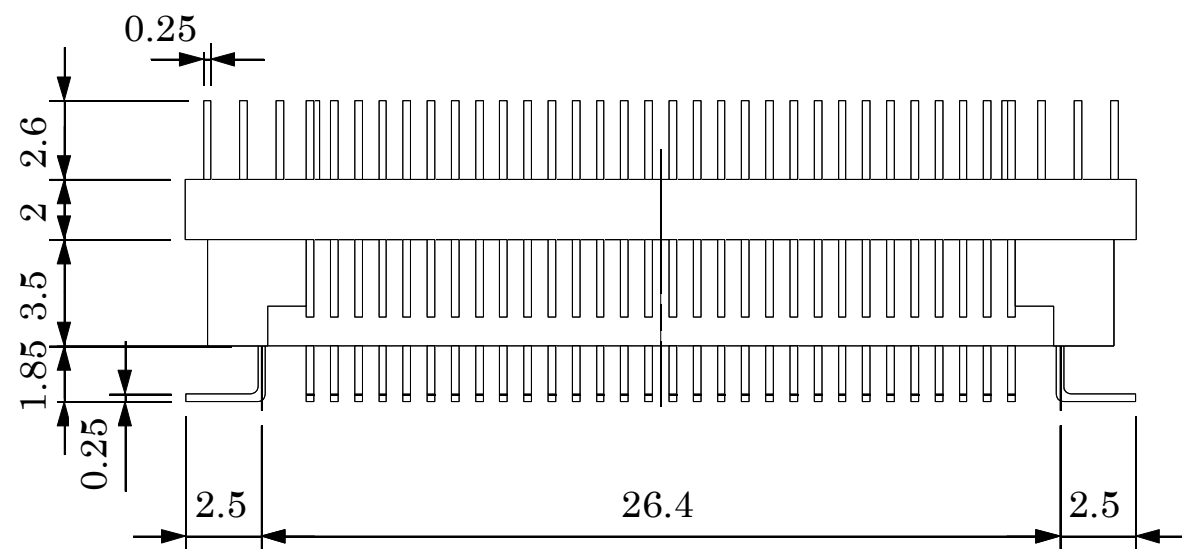
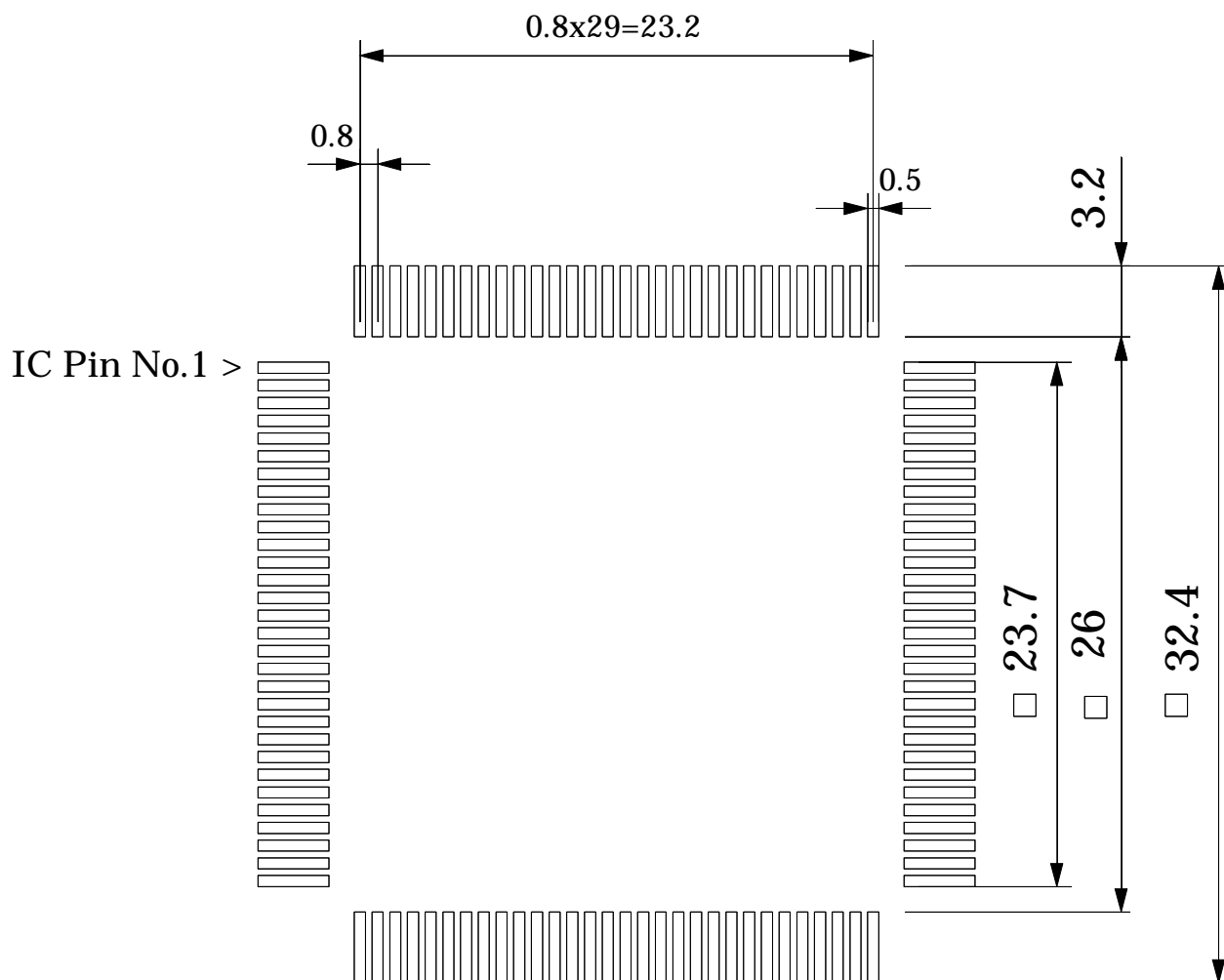


BOTTOM VIEW



Part No.	TQPACK120/128SA
IC package	Square
Pin count	120Pin
Lead pitch	0.8mm
Unit : mm	Design : M.H
TET TOKYO ELETECH CORP.	

Recommended a Footprint pattern of TQPACK120/128SA



Part No.	TQPACK120/128SA	
IC package	Square	
Pin count	120Pin	
Lead pitch	0.8mm	
Unit : mm	Design : M.H	
TET TOKYO ELETECH CORP.		