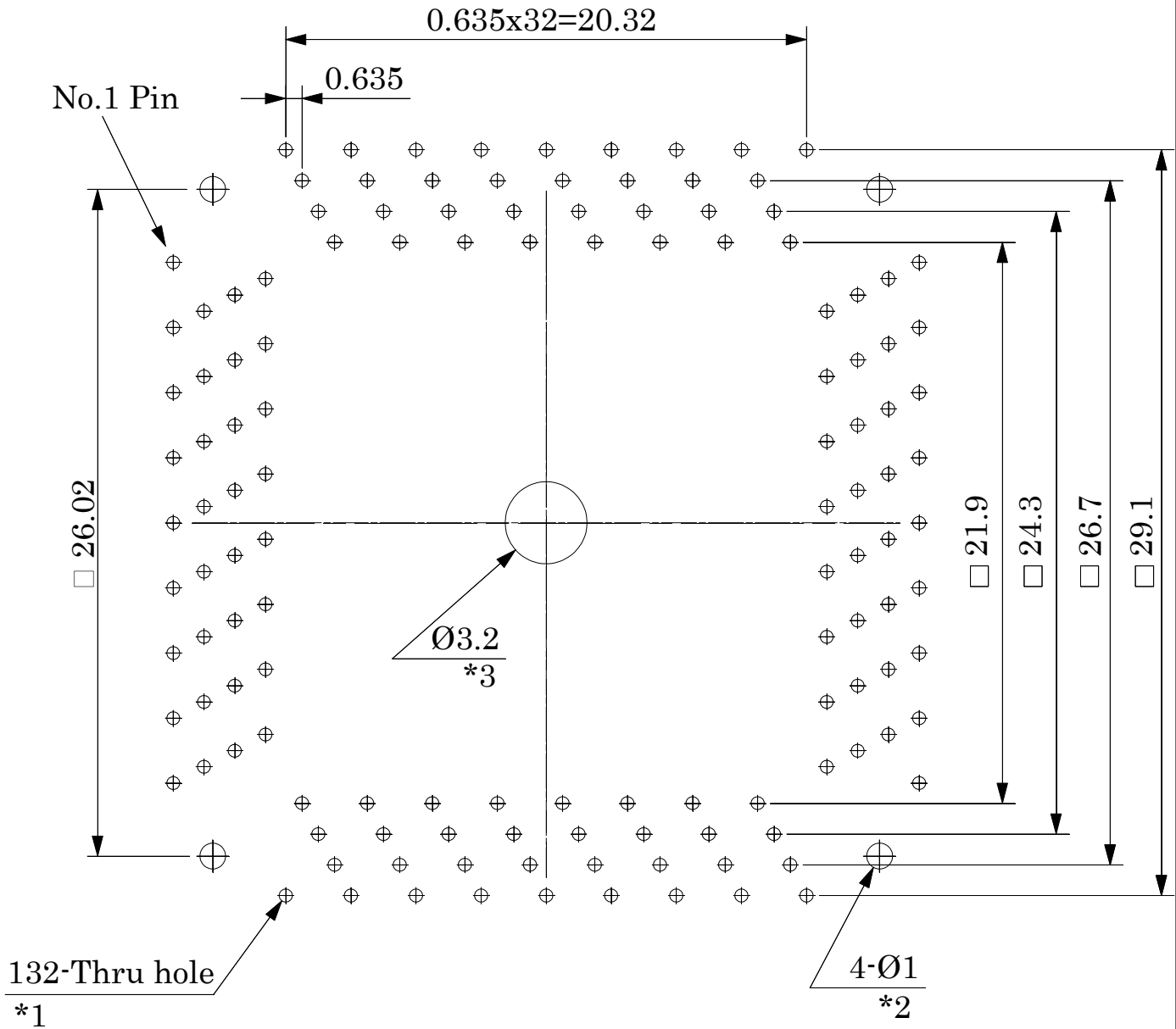


BOTTOM VIEW

Part No.	TQPACK132SC	
IC package	Square	
Pin count	132Pin	
Lead pitch	0.635mm	
Unit : mm	Design : M.H	
TET TOKYO ELETECH CORP.		

Recommended a PWB layout of TQSOCKET132SC Series



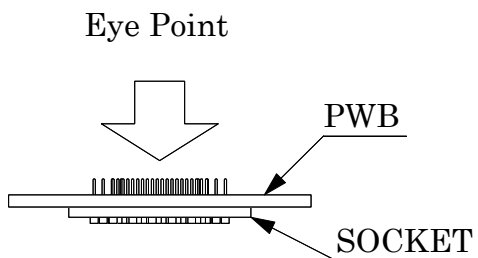
NOTES:

*1 \oplus mark is through hole.

The diameter is 0.5mm after plating copper on the hole.

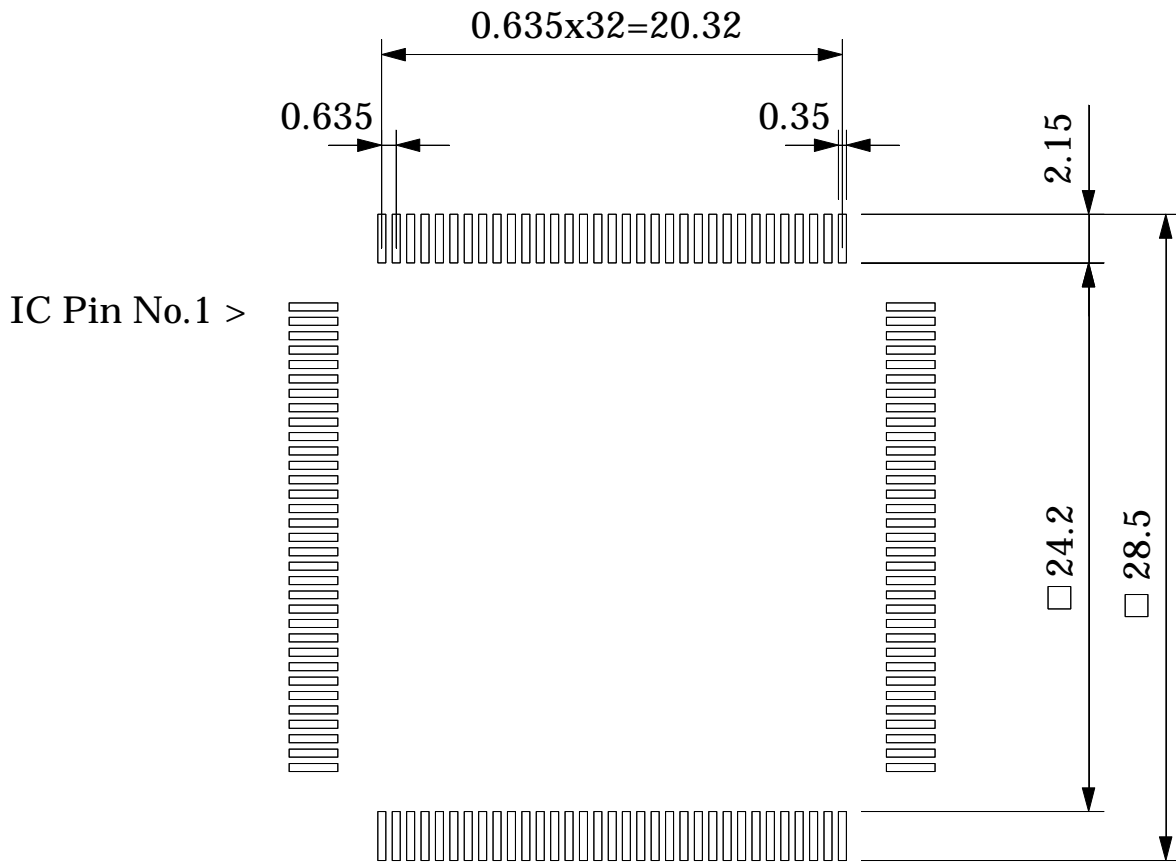
*2 TQSOCKET guide pin hole and location.

*3 Screw hole and location for fastening TQSOCKET.



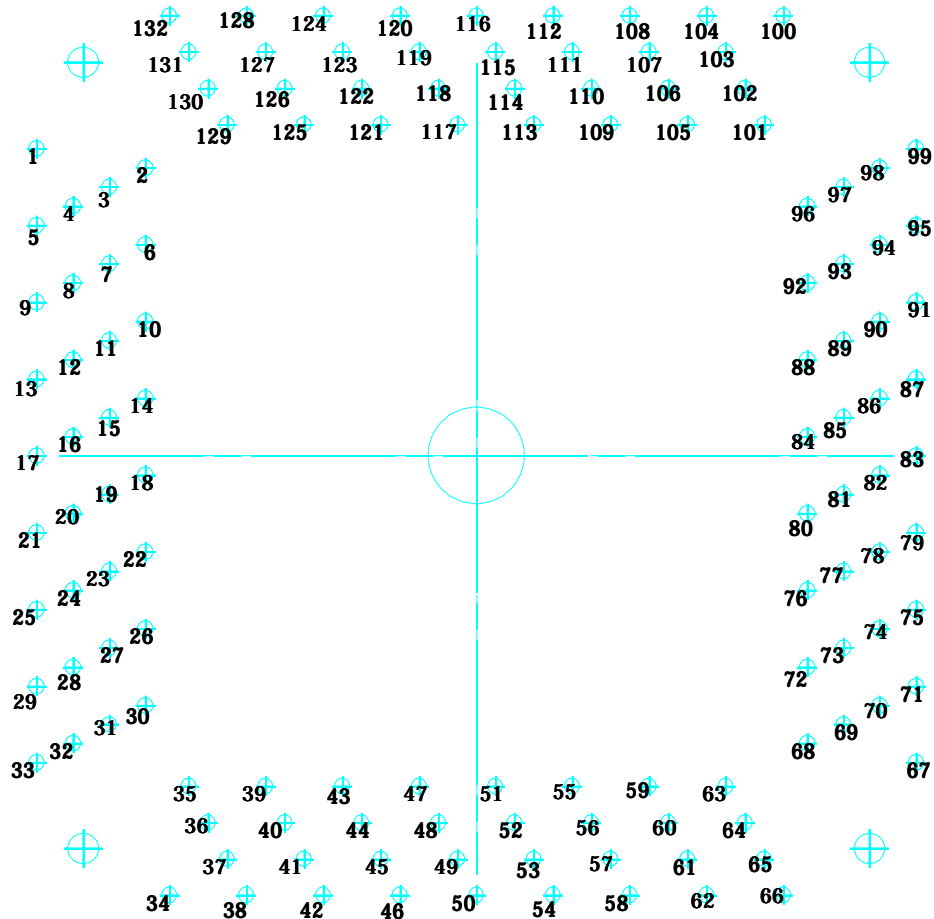
Part No.	TQ132SC	
IC package	Square	
Pin count	132Pin	
Lead pitch	0.635mm	
Unit : mm	Design : M.H	
TET TOKYO ELETECH CORP.		

Recommended a Footprint pattern of TQPACK132SC

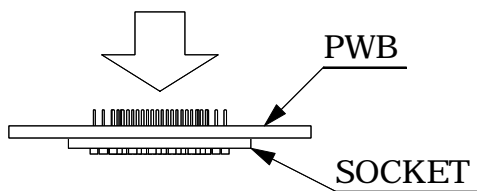


Part No.	TQPACK132SC	
IC package	Square	
Pin count	132Pin	
Lead pitch	0.635mm	
Unit : mm	Design : M.H	
TET TOKYO ELETECH CORP.		

Recommended a PWB layout of TQSOCKET132SC Series



Eye Point



Part No.	TQSOCKET132SC	
IC package	Square	
Pin count	132	
Unit : mm	Design : M.H	
TET TOKYO ELETECH CORP.		