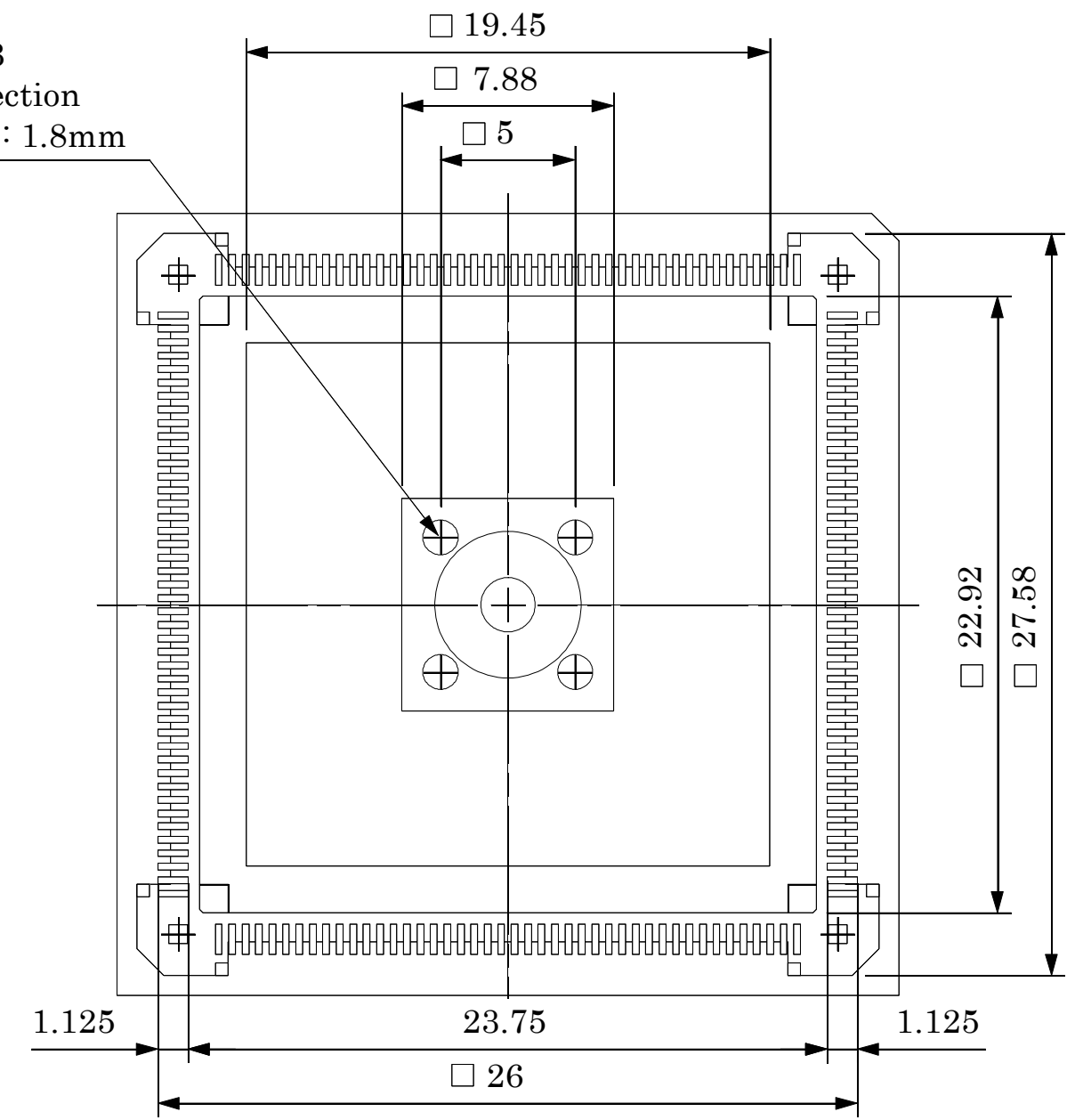
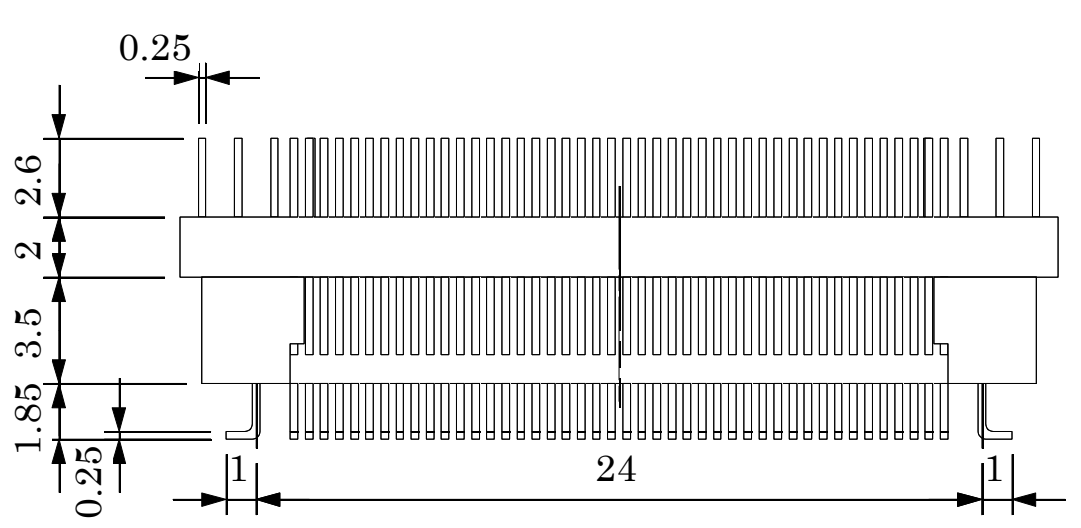


4-  $\text{Ø}1.3$   
 A projection  
 height : 1.8mm

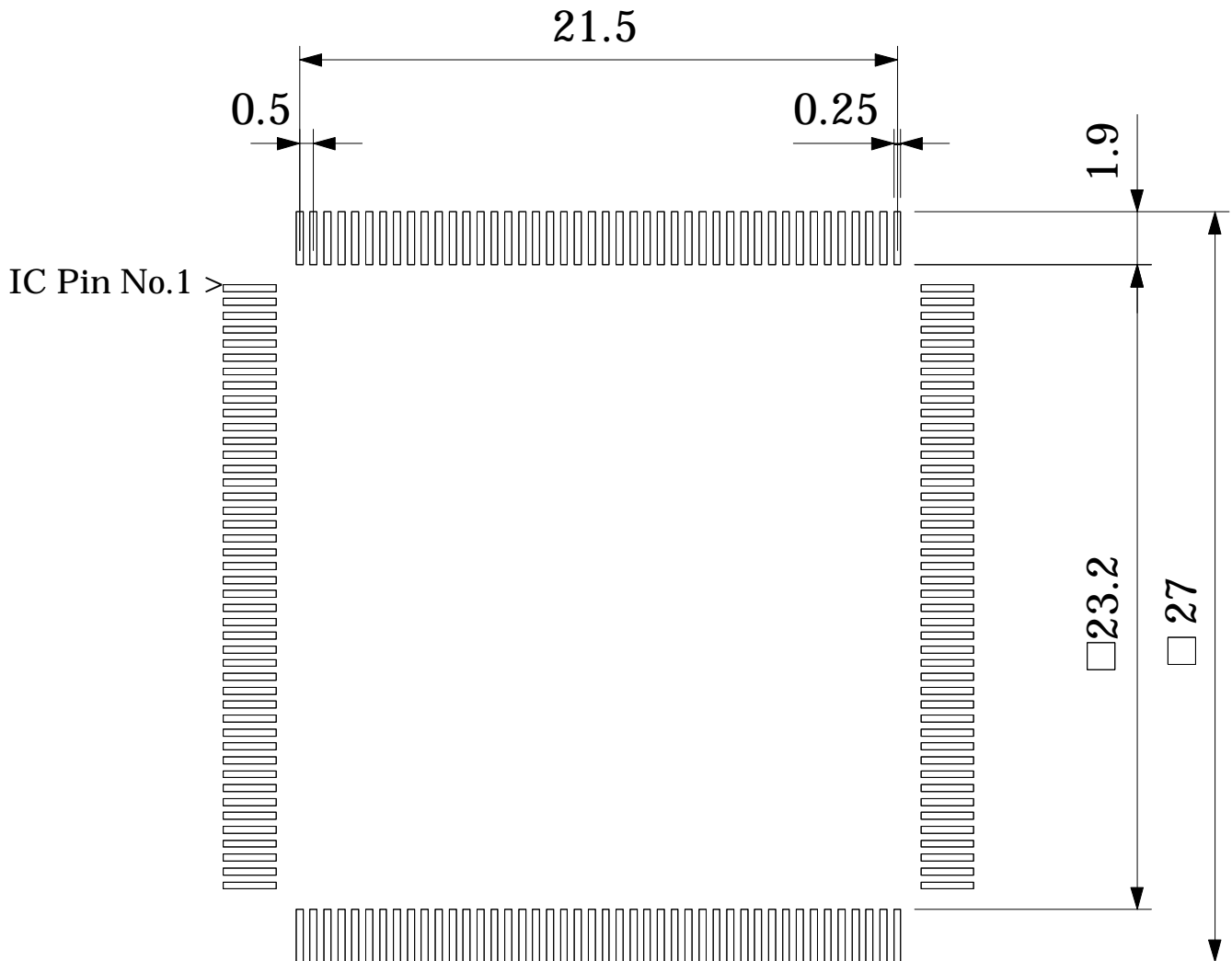


**BOTTOM VIEW**



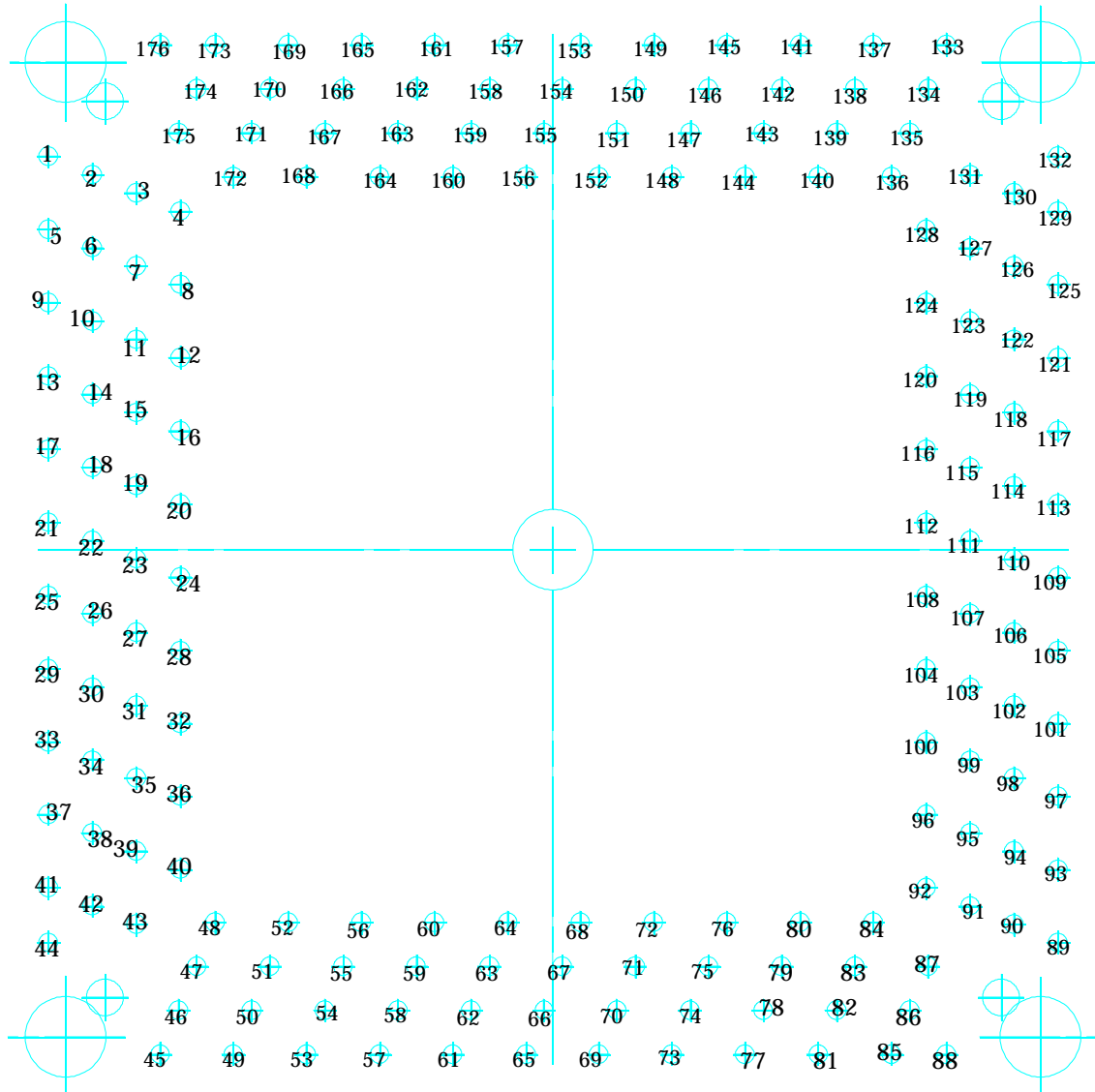
Part No.	<b>TQPACK176SD</b>	
IC package	Square	
Pin count	176Pin	
Lead pitch	0.5mm	
Unit : mm	Design : M.H	
<b>TET</b> TOKYO ELETECH CORP.		

# Recommended a Footprint pattern of TQPACK176SD

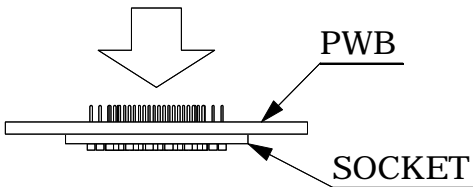


Part No.	<b>TQSOCKET176SD</b>	
IC package	Square	
Pin count	176Pin	
Lead pitch	0.5mm	
Unit : mm	Design : M.H	
<b>TET</b> TOKYO ELETECH CORP.		

# Recommended a PWB layout of TQSOCKET/YQSOCKET176SD Series

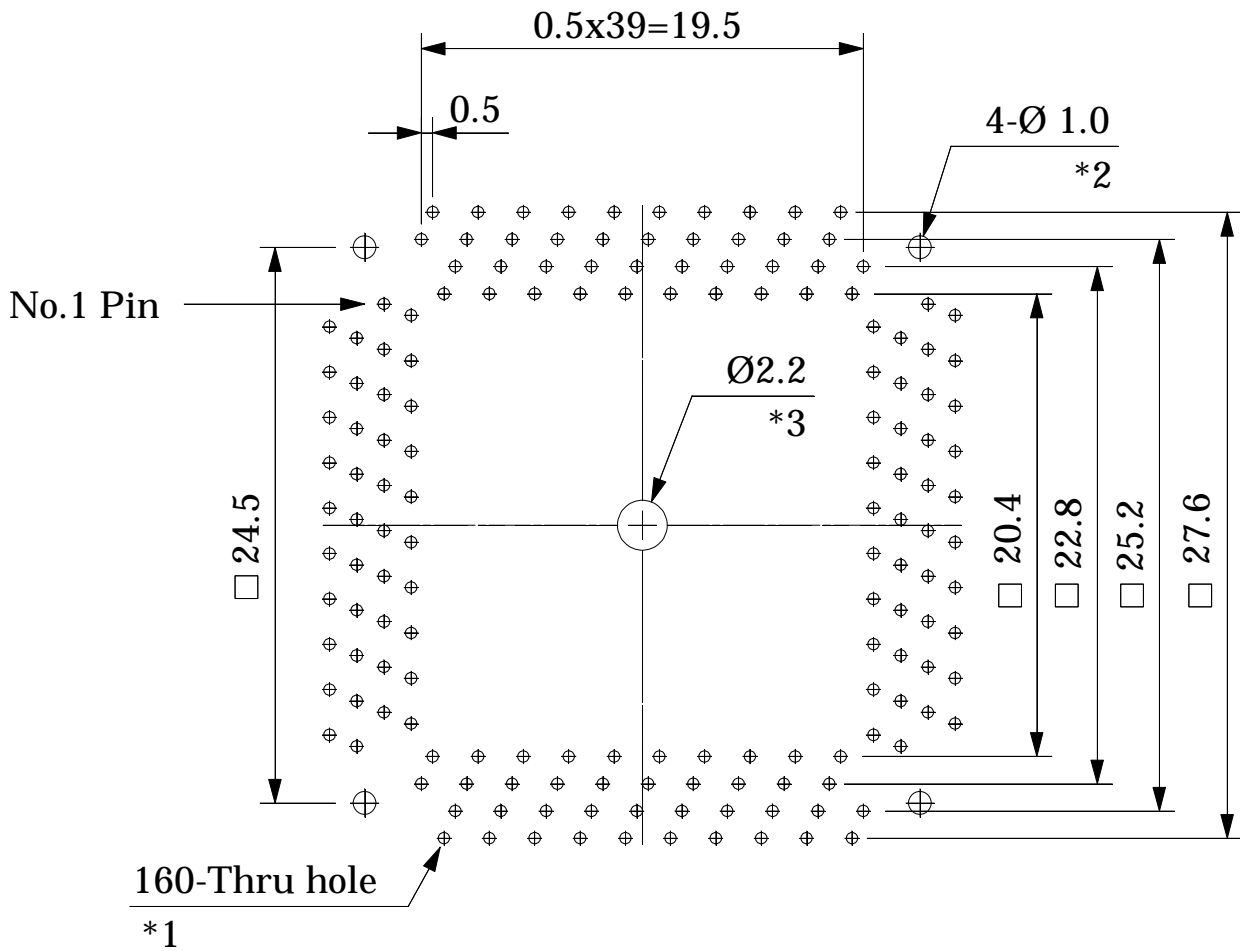


Eye Point



Part No.	<b>TQ/YQSOCKET176SD</b>	
IC package	Square	
Pin count	176	
Unit : mm	Design : M.H	
<b>TET</b> TOKYO ELETECH CORP.		

# Recommended a PWB layout of TQSOCKET160/176SD Series



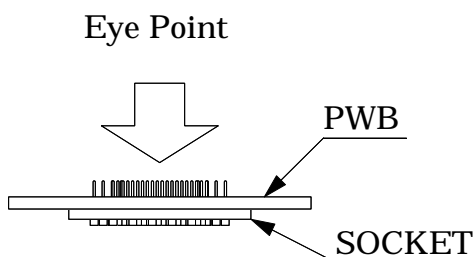
## NOTES:

\*1  $\oplus$  mark is through hole.

The diameter is 0.5mm after plating copper on the hole.

\*2 TQSOCKET guide pin hole and location.

\*3 Screw hole and location for fastening TQSOCKET.



Part No.	<b>TQ160/176SD</b>	
IC package	Square	
Pin count	160Pin	
Lead pitch	0.5mm	
Unit : mm	Design : M.H	
<b>TET</b> TOKYO ELETECH CORP.		